

## Pro Range ENG56-400, ENG68-400, ENG56-600



EN: This product is only suitable for well insulated rooms or occasional use. DE: Dieses Produkt ist nur für gut isolierte Bereiche oder gelegentliche Verwendung geeignet. FR: Ce produit convient uniquement à des endroits bien isolés ou pour un usage occasionnel. IT: Questo prodotto è adatto solo per spazi ben isolati o per uso occasionale. ES: Este producto sólo es adecuado para espacios bien aislados o un uso ocasional. NL: Dit product is uitsluitend geschikt voor goed geïsoleerde ruimten of voor sporadisch gebruik. PL: Produkt ten jest odpowiedni wyłącznie do dobrze odizolowanych miejsc lub do okazjonalnego użytku. NO: Dette produktet egner seg kun for godt isolerte rom eller sporadisk bruk. RO: Acest produs este adecvat exclusiv spațiilor bine ventilate sau utilizării ocazionale. CZ: Tento výrobek je vhodný pouze do dobře izolovaných prostor nebo k příležitostnému použití. DK: Dette produkt er kun egnet til velisolerede rum eller lejlighedsvis brug. PT: Este produto somente é adequado para espaços bem isolados ou uso ocasional. SE: Denna produkt är endast avsedd för välisolerade utrymnen eller tillfällig användning. FI: Tämä tuote soveltuu ainoastaan hyvin eristettyihin tiloihin tai satunnaiseen käyttöön. SK: Tento výrobok je vhodný len pre dobre izolované priestory alebo na občasné použitie. SI: Ta izdelek je primeren le za dobro izolirane prostore ali za občasno uporabo. HR: Ovaj proizvod je pogodan samo za dobro izolirane prostore ili povremenu upotrebu. HU: Ez a termék csak jól szigetelt terekhez vagy eseti használatra alkalmas



The product complies with the European Safety Standards and the European Standard Electromagnetic Compatibility (EMC)  
These cover the essential requirements of EEC Directives

UK .....	1
PL .....	10
SE .....	19
TR .....	28
PT .....	37
NO .....	46

## Introduction

Please read this information guide carefully to be able to safely install, use and maintain your product.

## Important Safety Advice

**CAUTION: FAILURE TO FOLLOW THESE INSTRUCTIONS MAY CAUSE INJURY AND/OR DAMAGE AND MAY INVALIDATE YOUR GUARANTEE**

### Important Safety Advice

When using electrical appliances, basic precautions should always be followed to reduce the risk of fire, electrical shock and injury to persons, including the following:

- If the appliance is damaged, check with the supplier before installation and operation.
- Do not use outdoors.
- Do not use in the immediate surroundings of a bath, shower or swimming pool.
- Do not locate the appliance immediately below a fixed socket outlet or connection box.

**Warning:** This heater must not be used for anything other than normal domestic household purposes in the country where it was purchased from a recognised commercial retailer.

This appliance can be used by children aged from 8 years and above and persons with reduced physical, sensory or mental capabilities or lack of experience and knowledge if they have been given supervision or instruction concerning use of the appliance in a safe way and understand the hazards involved. Children shall not play with the appliance. Cleaning and user maintenance shall not be made by Children without supervision.

Children of less than 3 years should be kept away unless continuously supervised. Children aged from 3 years and less than 8 years shall only switch on/off the appliance provided that it has been placed or installed in its intended normal operating position and they have been given supervision or instruction concerning use of the appliance in a safe way and understanding the hazards involved. Children aged from 3 years and less than 8 years shall not plug in, regulate and clean the appliance or perform user maintenance.

**Warning:** This appliance must be earthed.

The use of an extension lead or multi-plug adaptor is not advised when connecting this product to the mains. Connection through these devices could lead to a risk of overloading, overheating and even fire at the extension lead or adaptor due to inadequate connection quality.

This heater must be used on an ~alternating current supply (~) only and the voltage marked on the heater must correspond to the supply voltage.

Do not use this appliance in series with a thermal control, a program controller, a timer or any other device that switches on the heat automatically, since a fire risk exists when the appliance is accidentally covered or displaced.

DO NOT use the heater on deep pile carpets or the long hair type of rugs, or less than 750mm (30") away from any overhanging surface. Keep combustible materials such as drapes and other furnishings clear from the front, sides and rear of the heater. Do not use heater to dry your laundry.

In the event of a fault unplug the appliance. Unplug the appliance when not required for long periods.

The appliance must be positioned so that the plug is accessible. If the supply cord is damaged it must be replaced by the manufacturer or service agent or a similarly qualified person in order to avoid a hazard. Keep the supply cord away from the front of the appliance.

Caution: Some parts of this product can become very hot and cause burns. Particular attention has to be given where children and vulnerable people are present.

Warning: In order to avoid overheating, do not cover the appliance. Do not place material or garments on the appliance, or obstruct the air circulation around the appliance, for instance by curtains or furniture, as this could cause overheating and a fire risk.

The appliance carries a DO NOT COVER warning

Warning: In order to avoid a hazard due to inadvertent resetting of the thermal cut-out, this appliance must not be supplied through an external switching device, such as a timer, or connected to a circuit that is regularly switched on and off by the utility.

## General Information

Only use filtered water in this appliance.

Always ensure that the appliance is sitting on a level surface.

Although this heater complies with safety standards, we do not recommend its use on deep pile carpets or on long hair type of rugs.

Please note: Used in an environment where background noise is very low, it may be possible to hear a sound which is related to the operation of the flame effect. This is normal and should not be a cause for concern.

If this product experiences a power surge for whatever reason the product may cut-out. This is a normal safety feature and the product will resume operation after 30 seconds.

Once installed, never move this appliance or lay on its back, without draining the water from sump and water tank. If you intend not using the appliance for longer than 2 weeks, drain the water from sump and water tank and dry the sump.

The water tank, sump, sump lid, tank cap and air filters must be cleaned once every two weeks, particularly in hard water areas.

The appliance should never be operated if the lamps are not working.

The lamps should be regularly inspected as described under 'Maintenance' and 'Changing lamps'.

## Technical Information

Model No: ENG56-400 E, ENG68-400 E, ENG56-600 E

Heat Output		230V	240V	
Nominal Heat Output	$P_{Nom}$	1.8	2.0	kW
Minimum Heat Output	$P_{min}$	0.9	1.0	kW
Maximum Continuous Heat Output	$P_{max}$	1.8	2.0	kW
Auxiliary Electricity Consumption				
In Standby Mode	$P_{Nom}$	0.45	0.48	W

electronic room temperature control plus week timer

## Installation Instructions

This section describes how to set up your fire.

### BEFORE YOU START

1. Ensure that all packing items are removed (read any warning labels carefully) and retain all packing for possible future use e.g. in the event of moving house or returning the appliance to your supplier.
2. Before connecting the appliance, check that the supply voltage is the same as that stated on the heater.

Installation into a Fireplace Mantle

1. When installing this appliance into a fireplace mantle please ensure that you choose a mantle suitable for your appliance (Fig 18). **There is to be an air vent at the front of the fireplace mantle of at least 88cm<sup>2</sup>. It is essential to ensure that air can circulate into the appliance – otherwise the Opti-myst flame effect**

### **will not operate correctly. This pathway for air must not be obstructed**

2. Remove the 4 spacing brackets on the front of the appliance (Fig 19)
3. Slide the appliance into the fireplace mantle fully from the back ensuring that it is sitting in the center of the mantle. Using suitable screws (not supplied) screw fix the appliance in place (Fig 20)
4. Be sure to position the fireplace within 1m of a power outlet (Fig 21)

#### Installation into a wall or recess cavity

1. Note the product dimensions in Fig 1 and build a suitable structure for the appliance to fit into within 1m of a power outlet (Fig 22). Using suitable screws (not supplied) screw fix the appliance in place
2. Note the venting slots in the appliance. There are located at the front base and under the appliance
3. Build the wall up against the appliance using the spacing brackets as a guide.
4. **There is to be an air vent at the front of the structure of at least 88cm<sup>2</sup>. It is essential to ensure that air can circulate into the appliance – otherwise the Opti-myst flame effect will not operate correctly. This pathway for air must not be obstructed. For examples of air vents in a wall or recess cavity see Fig 23**

#### Connecting the Transducer Unit + Lamps

1. Release the two red tabs by turning them by 90 degrees (Fig 2)
2. Lift out the Sump Nozzle (Fig 3)
3. Insert lamps into lamp holders (Fig 4), carefully locating the pins into the holes (Fig 4a)
4. Push lamps firmly into place
5. Place the Transducer Unit into the sump and join the cable to the connector on the sump (Fig 5)
6. To ensure that the Transducer Unit is correctly placed in the sump, the tab on the Transducer Unit should be lined up with the moulded recess in the sump (Fig 5a).
7. Ensure that the cable is not placed above the disc on the Transducer Unit (Fig 5b). To prevent the cable becoming pinched between the nozzle and the sump, place the cable in the slot in the wall of the sump.
8. Replace the Sump Nozzle and secure it by turning the two red tabs by 90 degrees (Fig 6)

#### Filling the Water Tank

9. Place Water Tank in sink and remove cap (turn anti-clockwise to open) (Fig 7)
10. Fill Water Tank with **filtered tap water only**. This is necessary to prolong the life of the flame and smoke producing unit. The water should be filtered through a conventional domestic water filter unit and the filter should be replaced regularly. Distilled water must **not** be used.
11. Screw the cap back on – **do not overtighten**.
12. Place the Water Tank in the Sump, with the tank cap facing down and the flat side of the tank facing outward (Fig 8)

#### Assembling the fire

13. Place the Fuelbed on top of the Water Tank and Mist Nozzle (Fig 9)

## Operating the Product

WARNING: FAILURE TO FOLLOW THESE OPERATING INSTRUCTIONS MAY RESULT IN INJURY AND/OR DAMAGE.


### **Manual Controls**

The Opti-myst Manual controls are located on the base of the appliance.

(See Fig. 2 for Manual Control lay out)

Switch 'A':- Controls the electricity supply to the Fire.

Note: This switch must be in the 'ON' (I) position for the Fire to operate with or without heat when activated.


Switch 'B':- Press  once to turn on the flame effect. This will be indicated by an audible "beep". Although the main lights operate immediately it will take a further 45 seconds before the flame effect starts.

Press  to put fire into standby mode. This will be indicated by one "beep".

### **Remote Control**

The remote control is packed with 2 AA batteries in a bag. Lift off the battery cover on the back of the remote control and insert the batteries taking note of the polarity.

The remote control has already been paired to your product during factory assembly. In the unlikely event that the remote control disconnects from the product, or you obtain a spare remote control, you will need to complete the pairing process:

1. With the product plugged in press switch A to the ON (I) position. You should hear an audible beep
2. Press and hold 'Button 6' until PAIR appears on the display
3. Bring the remote control close to the product where the receiver is . See Fig 17
4. The product will start to beep and blink
5. Press 'Button 6' to complete the pairing process. The product will go into standby mode.

### Switching on the appliance

Press and hold the ENTER button for 3 seconds to activate the remote control. FIRE will be displayed and ON will be blinking. Press ENTER to switch on the appliance. To turn off the appliance press MENU so that FIRE is blinking, press ENTER twice.

### Adjust the Flame Setting

With the remote control activated press once. FIRE will be blinking on the display. Press ENTER. The current flame setting will be displayed F1-F6. Press the UP and DOWN buttons to adjust the setting. After you have selected your flame setting press BACK twice to exit the menu and return to the home screen.

### Switching on the Heat

With the remote control activated press MENU once. FIRE will be blinking on the display. Press ADV once, HEAT will be blinking. Press ENTER. The current heat setting will be displayed OFF LO HI. Press the UP and DOWN buttons to adjust the setting. After you have selected your flame setting press ENTER.

### Setting the Thermostat

The temperature shown on the display is the room temperature set point. This is the temperature that the heater will maintain during the heating periods. If the room temperature is above this temperature then the heater will not operate. The heater leaves the factory with this temperature set at 15°C which represents a typical comfortable room temperature. If you require a different room temperature then press either up or down on the home screen until the display shows the temperature you require.

### Thermal Safety Cut-out

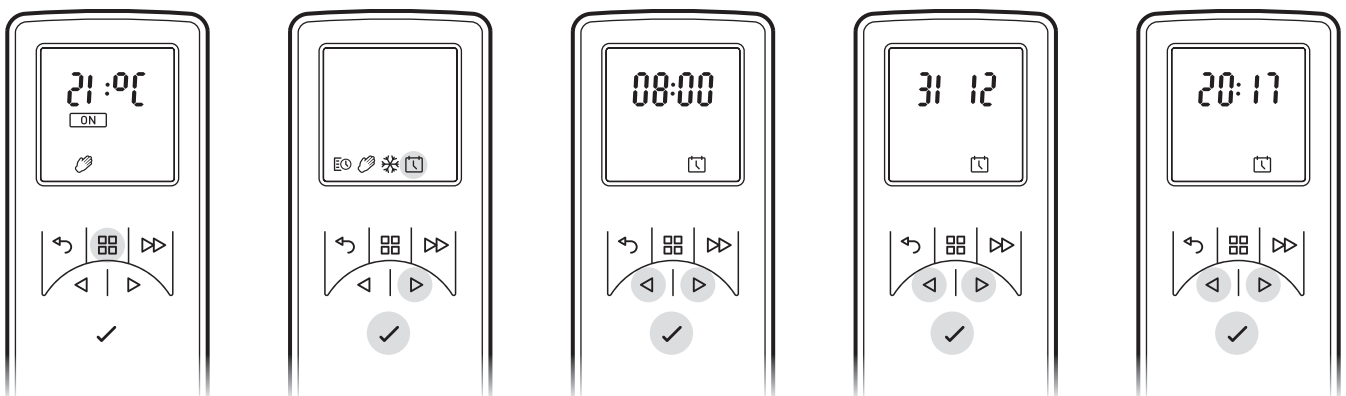
A thermal safety cut-out is incorporated in the fan heater to prevent damage due to overheating. This can happen if the heat outlet was restricted in any way. If the cut-out operates, unplug the heater from the socket outlet and allow approximately 10 minutes before reconnecting. Before switching the heater back on remove any obstruction that may be restricting the heat outlet, then continue normal operation.

CAUTION: In order to avoid a hazard due to inadvertent resetting of the thermal cutout, this appliance must not be supplied through an external switching device, such as a timer, or connected to a switch that is regularly switched on and off by the utility.

### Setting the Date and Time

To set the date and time on the heater;

1. Press the Menu button
2. Press ^ button 4 times
3. Press Enter when the Date & Time icon is blinking
4. Press Enter to set Time
5. Press v and ^ to set the Hour, press Enter
6. Press v and ^ to set the Minutes, press Enter to confirm the time
7. Press v and ^ to set the Day, press Enter
8. Press v and ^ to set the Month, press Enter
9. Press v and ^ to set the Year, press Enter to confirm the date



## Modes of Remote Operation

**User Timer:** Provides greatest flexibility to the user. Four times slots are available throughout the day and these can be customised for each day of the week. See “How to adjust the timer modes” for instructions on adjusting these from the factory default time periods & temperatures.

**Manual Mode:** This mode heats the room to the temperature you have set the remote control to.

**Frost Protection:** This mode will maintain a room temperature to 7°C. This mode should be used to provide protection against frost as indicated by the frost icon.

## Choosing and Setting a Mode

**User Timer - To re-programme the factory default Timer Modes:**

1. Press Menu Button
2. Press ^ once to the schedule Icon is blinking. Press Enter
3. Press ^ Twice then press Enter  
\*Days of the weeks are now displayed at the top of the screen\*  
Day 1 = Monday  
Day 2 = Tuesday  
Day 3 = Wednesday  
Day 4 = Thursday  
Day 5 = Friday  
Day 6 = Saturday  
Day 7 = Sunday
4. Press Enter to Modify Day 1 or Press ^ to navigate to the desired day and Press Enter to Select
5. P1 will be displayed on screen
6. Press Enter to select P1, to navigate to P2, P3 or P4 press ^ and press Enter to select
7. ON will be highlighted, press Enter to set the on Time
8. Press v or ^ to adjust the on Hour time, press Enter to Confirm
9. Press v or ^ to adjust the on Minute time, press Enter to Confirm
10. Press v or ^ to adjust the Temperature setting, press Enter to Confirm
11. Press v or ^ to adjust the off Hour time, press Enter to Confirm
12. Press v or ^ to adjust the off Minute time, press Enter to Confirm

Press Enter to modify Programme P2, follow steps 5-12, Press ^ to skip to P3

Press Enter to modify Programme P3, follow steps 5-12, Press ^ to Skip to P4

Press Enter to modify Programme P4, follow steps 5-12

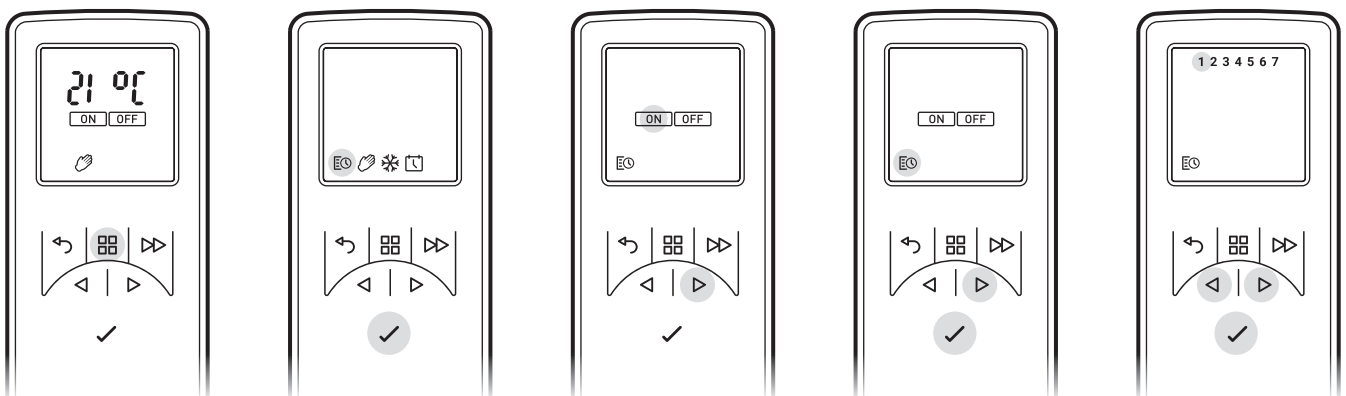
To copy newly programmed P1-P4 heating programmes to other days press the Enter button.

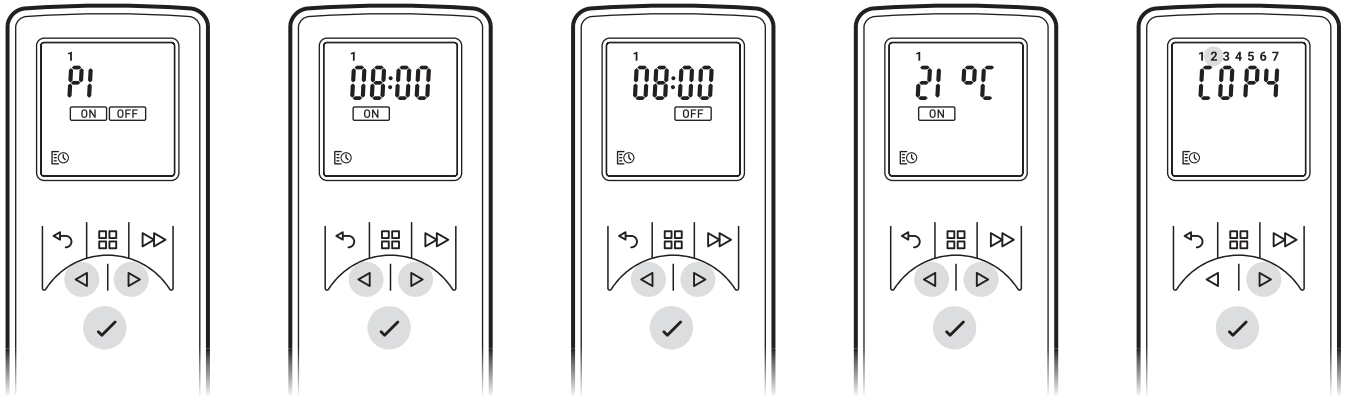
Copy will be displayed on screen

To copy to the next day in sequence, press ^ button. To deselect the next day in sequence press Enter button.

The days of the week that are selected will be displayed at the top of the screen. The days that have been deselected will not be visible (see Diagrams).

Press Enter to confirm, backlight will flash and return to home screen.



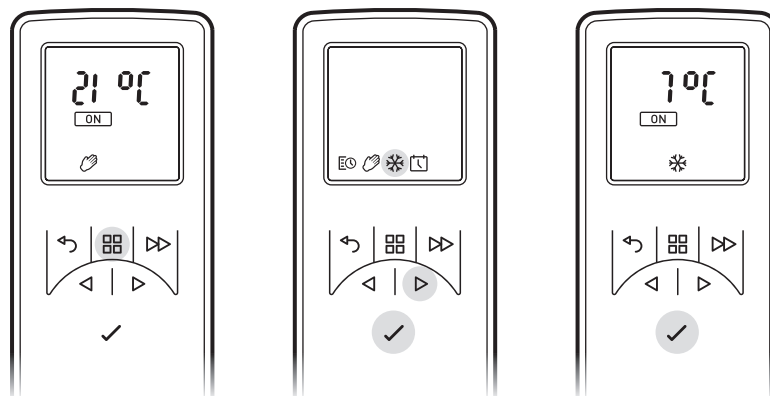


**Manual Mode** - To choose a constant heat mode. This mode ignores the User Timer and maintains the displayed temperature.

- Press Menu Button
- Press ^ twice to highlight the Hand icon
- Press Enter to Confirm
- Use v and ^ to adjust to the desired temperature

**Frost protect** - Frost protect mode maintains a room temperature of 7°C throughout a 24 hour period. This mode should be used to provide protection against frost as indicated by the Frost icon.

- Press the Menu button
- Press ^ three times to highlight the snowflake icon
- Press Enter to confirm
- Press v or ^ to exit this mode and enter manual mode.



### Getting the Desired Flame Effect

1. Using the remote control press MENU, FIRE on the display will be flashing, press ENTER. The current setting will be displayed. Press ^ or v to toggle between F1 and F6. F1 being the lowest setting and F6 being the highest setting.
2. Generally the flames appear more realistic when the flame control is turned down.
3. Give the flame generator time to react to changes you may make.
4. The fire will use less water if the flame effect is set to a lower level.
5. Do not tilt or move the fire while there is water in the tank or sump.
6. Make sure that the fire is on a level floor.

### Customising the display

The maximum temperature set point on the product is 32°C You have the option to reduce this set point. You can also change °C to °F

1. Press the Menu button.
2. Press the ADV button twice - SP will be blinking.
3. Press Enter to confirm.
4. Press v or ^ to choose between °C and °F.
5. Press Enter to confirm.
6. Press v or ^ to choose your maximum temperature set point.
7. Press Enter to confirm.
8. Press BACK three times to return to the home screen.



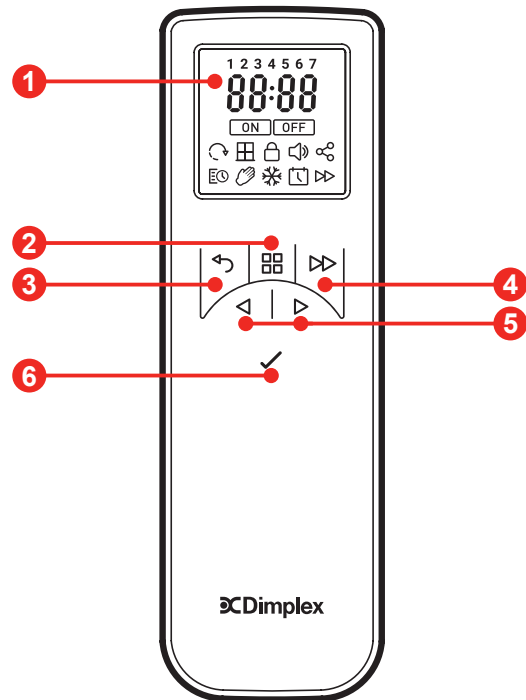
## Adaptive Start

The built-in electronics in this appliance have a learning function with regards to how long it takes to heat up a room. Having learnt how quickly it can heat up your room, the appliance is able to turn on at just the right time in order to get the room up to a comfortable temperature when you want it. For example, if you get up at 7am, you would normally have to guess when to turn the heating on in order for it to pre-heat the room in time. Depending on how cold it is outside, this could mean the room is still cold when you have to get out of bed, or mean that its been warm for half an hour before it needed to be. Adaptive Start means that if you select 21°C at 7am, the heater will turn on exactly when it needs to in order to meet this target, running for shorter periods of time when the weather is mild, and ensuring the room is nice and warm in the winter.

The Adaptive Start function will automatically activate when you use the Timer Mode.

## Remote Control

- 1 Display Screen
- 2 'Menu' Button
- 3 'Back' Button
- 4 'Advance' Button
- 5 'Up and Down' Arrows
- 6 'Enter' Button



## Maintenance

### GENERAL TIPS

Only use filtered tap water in this appliance.

Always ensure that the appliance is sitting on a level surface.

If you intend not using the appliance for longer than 2 weeks, remove and empty the sump and water tank.

Once installed, never move this appliance or lay on its back, without draining the water from sump and water tank.

The appliance should never be operated if the lamps are not working.

The lamps should be regularly inspected as described under 'Changing lamps'.

### FILLING THE WATER TANK

When the water tank is empty, the flame and smoke effect shuts off and you will hear 2 audible beeps, follow these steps.

1. Press Switch 'A' to (0) (Fig. 10)
2. Gently lift out the fuelbed and carefully set aside.
3. Remove the water tank by lifting upwards and outwards.
4. Place the water tank in sink and remove cap, Anti-clockwise to open. (Fig. 7)
5. Fill tank with filtered tap water only. This is necessary to prolong the life of the flame and smoke producing unit.  
The water should be filtered through a conventional domestic water filter unit and the filter should be replaced regularly.
6. Screw the cap back on, do not over tighten.
7. Return the tank to the sump, with the tank cap facing down and the flat side of the tank facing outward. (Fig. 8)
8. Gently place the fuelbed back into position. (Fig. 9)
9. Press Switch 'A' to 'ON' (I) position (Fig. 10)

### CHANGING LAMPS

If the flame and smoke effect appears grey or colourless it may be that one or more lamps have failed.

You can check for lamp failure as follows.

1. Leaving the flame effect on, lift out the fuelbed and water tank.
2. It should be possible to view the lamps with the nozzle in place and observe which one needs to be changed.
3. Put Switch 'A' in the 'OFF' position, and unplug the fire from the mains.
4. Leave the appliance for 20 minutes to allow the lamps to cool down before removing them.
5. Remove the sump as described in the Cleaning Section.
6. Remove the defective lamp, by gently lifting vertically and disengaging the pins from the lamp holder, (Fig. 4 and 4a).  
Replace with an OPTIMYST, 12V, 45W, Gu5.3 base, 8° beam angle, coloured lamp. (Purchased from our your supplier)
7. Carefully insert the two pins of the new lamp into the two holes in the lamp holder. Push firmly in place. (Fig. 4 and 4a).
8. Replace the sump, nozzle, water tank and fuelbed.

## CLEANING

**Warning** – Always press Switch 'A' to the 'OFF' (0) position (Fig. 10) and disconnect from the power supply before cleaning the fire.

We recommend cleaning the following components once every 2 weeks, particularly in hard water areas:-  
Water Tank, Sump, Nozzle, Tank cap and seal, Air filter.

For general cleaning use a soft clean duster – never use abrasive cleaners.

To remove any accumulation of dust or fluff the soft brush attachment of a vacuum cleaner should occasionally be used to clean the outlet grille of the fan heater.

### Water tank

1. Remove water tank, as described earlier, put into sink and empty water.
2. Using the supplied brush gently rub the inside surfaces of the cap paying particular attention to the rubber ring in the outer groove and the centre rubber seal.
3. Put a small quantity of washing up liquid into the tank, refit the cap and shake well, rinse out until all traces of washing up liquid are gone.
4. Refill with filtered tap water only, replace the cap, do not overtighten.

### Sump

1. Press Switch 'A' to the 'OFF' (0) position
2. Gently lift out the fuelbed and place carefully on the ground.
3. Remove the water tank by lifting upwards.
4. Disconnect the electrical connector, located on the right side of the sump. (Fig. 5) .
5. Release the right sump locking tabs by turning 90°. This allows the sump to be lifted completely from its location. (Fig. 11)
6. Gently lift up the sump, taking care to keep level so as not to spill any water. Sit the assembly in the sink.
7. Release the left sump locking tabs by turning 90°, then lift off the Nozzle. (Fig. 3)
8. Lift out the transducer and carefully tilt, as shown, so that the liquid drains out of the sump. (Fig. 13)
9. Put a small amount of washing up liquid into the sump, and using the supplied brush, gently clean all surfaces in the sump and gently clean the transducer including the metal discs located in the top grooved surface. (Fig. 14)
10. When cleaned, thoroughly rinse the sump with clean water to remove all traces of washing up liquid.
11. Clean the Nozzle with the brush and flush out thoroughly with water. (Fig. 15)
12. Reverse the above steps to reassemble.

### Air filter

1. Gently lift out the fuelbed and place carefully on the ground.
2. Gently slide the air filter upwards out of its plastic holder. (Fig. 16)
3. Gently rinse with water in the sink and dry with fabric towel before returning.
4. Replace the filter making sure that the coarse black filter is facing the front of the fire.
5. Replace the fuelbed.

## Additional Information

### AFTER SALES SERVICE

Your product is guaranteed for two years from the date of purchase. Within this period, we undertake to repair or exchange this product free of charge (excluding lamps & subject to availability) provided it has been installed and operated in accordance with these instructions. Your rights under this guarantee are additional to your statutory rights, which in turn are not affected by this guarantee.

### RECYCLING



For electrical products sold within the European Community - At the end of the electrical products useful life it not be disposed of with household waste. Please recycle where facilities exist. Check with your Local Authority or retailer for recycling advice in your country.

## PATENT / PATENT APPLICATION

Products within the Optimyst range are protected by one or more of the following patents and patent applications:

Great Britain GB 2402206, GB 2460259, GB 2460453, GB 2418014, GB 2465738, GB 2449925, GB 2465537, GB 2455277, GB1020534.2, GB1020537.5, GB1110987.3

United States US 7967690, US 2010299980, US 2011062250, US 2008028648, US 13/167,042

Russia RU2008140317

European EP 2029941, EP 2201301, EP 2315976, EP 1787063, EP07723217.1, EP11170434.2, EP 11170435.9

China CN 101883953, CN 200980128666.2, CN 101057105, CN 101438104

Australia AU 2009248743, AU 2007224634

Canada CA 2725214, CA 2579444, CA 2645939

International Patent Application WO 2006027272

South Africa ZA 200808702

Mexico MX 2008011712

Korea KR 20080113235

Japan JP 2009529649

Brazil BR P10708894-9

India IN 4122/KOLNP/2008

New Zealand NZ 571900

## Troubleshooting

Symptom	Cause	Corrective Action
The flame effect will not start.	Mains plug is not plugged in.  Low water level.  Low voltage connector not connected properly. (Fig. 5)  The Transducer Unit is not sitting correctly in the sump	Check plug is connected to wall socket correctly.  Check that the water tank is full and there is water in the sump.  Check that the connector is inserted correctly. (Fig. 5)  Ensure the Transducer is sitting down into the moulded recess in the sump
The flame effect is too low.	Flame effect knob is set too low. (Fig. 10)  The Metal Disc in the transducer might be dirty (Fig. 14)  The wire from the Transducer Unit is sitting over the metal disc	Increase level of flame by using Remote Control (See Section for Operating the Product)  Clean the Metal Disc with soft brush supplied. (Fig. 14) See 'Maintenance.' for a step by step procedure.  Direct the wire to the back of the sump and make sure it sits into the side slot exiting the sump.
Unpleasant smell when unit is used.	Dirty or stale water.  Using unfiltered tap water.	Clean the unit as described under maintenance.  Use only filtered tap water.
The flame effect has too much smoke.	Flame effect setting is too high.	Turn the flame effect Control knob 'D' to the right, about ¼ a turn, at a time. Give the flame generator some time to adjust to the new setting. (Fig. 10)
Main lamps are not working and there are no flames or smoke.	There is no water in the water tank	Follow instructions under <b>Maintenance</b> , 'Filling the water tank'.  Check the plug is connected to the wall socket correctly and that Switch 'A' Fig. 10 is in the 'ON' (I) position.

## Wprowadzenie

Prosimy o uważne przeczytanie niniejszej Instrukcji, która ułatwi instalację, użytkowanie i konserwację produktu.

## Ważne informacje dotyczące bezpieczeństwa

**PRZESTROGA: NIE ZASTOSOWANIE SIĘ DO TYCH INSTRUKCJI MOŻE SKUTKOWAĆ URAZAMI CIAŁAI/LUB USZKODZENIEM URZĄDZENIA ORAZ UTRATĄ GWARANCJI**

### Ważne informacje dotyczące bezpieczeństwa

Podczas użytkowania urządzeń elektrycznych należy zawsze stosować środki ostrożności, celem zmniejszenia ryzyka pożaru, porażenia lub innych urazów, opisane niżej:

- W przypadku gdy urządzenie jest uszkodzone, przed przystąpieniem do instalacji i użytkowania, należy skontaktować się z dostawcą.
- Nie użytkować poza pomieszczeniami.
- Nie wolno używać produktu w kąpieeli, pod prysznicem czy na basenie.
- Nie pozostawiać urządzenia bezpośrednio pod stałym gniazdkiem czy skrzynką rozdzielczą.

**Ostrzeżenie:** Grzejnika nie należy używać do celów innych niż ogrzewanie pomieszczeń domowych, w kraju zakupu od uznanego sprzedawcy.

Urządzenie może być użytkowane przez dzieci w wieku 8 i więcej lat oraz osoby z ograniczeniami fizycznymi, sensorycznymi lub mentalnymi, nie posiadające doświadczenia i wiedzy, pod warunkiem, że robią to pod nadzorem, zostały odpowiednio poinstruowane i rozumieją związane zagrożenia. Produktu nie należy dawać dzieciom do zabawy. Dzieci nie powinny czyścić ani konserwować produktu samodzielnie, bez nadzoru.

Dzieci w wieku poniżej 3 lat powinny przebywać z dala od urządzenia, jeśli nie znajdują się pod stałym nadzorem. Dzieci w wieku od 3 do 8 lat mogą tylko włączać lub wyłączać prawidłowo zamontowane urządzenie, jeśli znajdują się pod opieką lub zostaną poinstruowane w zakresie bezpiecznego korzystania z urządzenia oraz będą świadome związanych z tym zagrożeń. Dzieci w wieku od 3 do 8 lat nie powinny podłączać do gniazdka, regulować, czyścić ani konserwować urządzenia.

**Ostrzeżenie:** Urządzenie wymaga uziemienia.

Podczas podłączania urządzenia do gniazda sieciowego nie zaleca się używania przedłużaczy ani trójników. Połączenie przez te urządzenia może prowadzić do przeciążenia, przegrzania lub nawet pożaru przedłużacza lub adaptera, na skutek niewłaściwej jakości połączenia.

Niniejszy grzejnik musi być zasilany wyłącznie prądem zmiennym (~), a wartość napięcia zasilania musi odpowiadać wartości na grzejniku.

Nie wolno łączyć urządzenia szeregowo z regulatorami temperatury, sterownikami programowalnymi, zegarowymi lub innymi akcesoriami, które automatycznie włączają grzejnik, ponieważ może to spowodować pożar w przypadku zakrycia lub przemieszczenia urządzenia. **NIE WOLNO** używać grzejnika na grubych dywanach, chodnikach z długim włosiem, lub bliżej niż 750 mm (30") od powierzchni zwisających. Trzymaj materiały palne, jak zasłony czy meble, z dala od przedniej, bocznej i tylnej strony grzejnika. Nie używać urządzenia do suszenia prania. W przypadku awarii odłączyć urządzenie od gniazda sieciowego. Odłączyć urządzenie od gniazda sieciowego jeżeli nie będzie używane przez dłuższy czas.

Urządzenie należy ustawić w taki sposób, aby zapewnić łatwy dostęp do wtyczki przewodu zasilającego. Jeżeli przewód zasilający jest uszkodzony, powinien zostać wymieniony przez producenta lub zakład serwisowy lub inną osobę wykwalifikowaną, celem wyeliminowania zagrożeń. Przewód zasilający należy trzymać z dala od przedniej części urządzenia.

Ostrożnie: Niektóre części urządzenia mogą się mocno nagrzać, co może spowodować oparzeniami. Należy zwrócić szczególną uwagę na dzieci lub osoby wrażliwe przebywające w pobliżu urządzenia.

Ostrzeżenie: Nie należy zakrywać urządzenia, aby uniknąć jego przegrzania. Nie wolno zakrywać urządzenia tekstyliami ani odzieżą, ani też w inny sposób utrudniać obieg powietrza wokół urządzenia, np. zasłonami czy meblami, ponieważ może to skutkować przegrzaniem i pożarem.

Urządzenie oznaczone jest etykietą ostrzegawczą „NIE ZAKRYWAĆ”.

Ostrzeżenie: Aby uniknąć niebezpieczeństwa związanego z przypadkowym wyzerowaniem termowyłącznika, urządzenia nie można zasilać z wykorzystaniem zewnętrznego urządzenia przełączającego, takiego jak wyłącznik czasowy (timer), ani nie można podłączać go do obwodu zasilania, który jest regularnie włączany i wyłączany przez dostawcę energii.

## Informacje ogólne

W urządzeniu należy używać wyłącznie wodę filtrowaną.

Urządzenie należy ustawiać na stabilnej, płaskiej powierzchni.

Mimo że urządzenie spełnia odpowiednie standardy bezpieczeństwa, nie zaleca się stawiania go na dywanach lub wykładzinach o długim włosiu.

Uwaga: w przypadku używania kominka w miejscu o bardzo niskim poziomie hałasu może być słyszalny dźwięk związany z działaniem efektu płomienia. Jest to normalny efekt i nie należy się tym niepokoić.

W przypadku wystąpienia nagłego skoku napięcia zasilającego, z dowolnej przyczyny, produkt zostanie odcięty od zasilania. Jest to normalna forma zabezpieczenia, a działanie produktu zostanie przywrócone po 30 sekundach.

Po zamontowaniu nigdy nie przenoś urządzenia, ani nie kładź go na „grzbiecie”, bez wcześniejszego usunięcia wody ze zbiornika na wodę i zbiornika ociekowego.

Jeżeli nie planujesz korzystania z urządzenia przez dłużej niż 2 tygodnie, opróżnij zbiornik wody oraz opróżnij i wyczyść zbiornik ociekowy.

Zbiornik na wodę, zbiornik ociekowy, wieko zbiornika ociekowego, nakrętkę zbiornika i filtry powietrza należy czyścić co dwa tygodnie, szczególnie w przypadku korzystania z twardej wody.

Urządzenia nie wolno pozostawiać włączonym, kiedy lampy nie działają.

Lampy należy regularnie kontrolować, zgodnie z instrukcjami w rozdziałach „Konserwacja” i „Wymiana lamp”.

## Informacje techniczne

Numer modelu: ENG56-400 E, ENG68-400 E, ENG56-600 E

Moc grzejna		230 V	240 V	
Nominalna moc grzejna	$P_{\text{Nom}}$	1.8	2.0	kW
Minimalna moc grzejna	$P_{\text{min.}}$	0.9	1.0	kW
Maksymalna ciągła moc grzejna	$P_{\text{maks.}}$	1.8	2.0	kW
Zużycie energii na potrzeby własne				
W trybie spoczynku	$P_{\text{Nom}}$	0.45	0.48	W

z elektroniczną kontrolą temperatury pokojowej i zegarem tygodniowym

## Instrukcja instalacji

Niniejszy rozdział opisuje instalację urządzenia.

### PRZED URUCHOMIENIEM

1. Upewnij się, że wszystkie elementy opakowania zostały usunięte (przeczytaj uważnie wszystkie etykiety), zachowaj opakowanie do późniejszego wykorzystania, np. na wypadek przeprowadzki czy zwrotu urządzenia do sprzedawcy.
2. Przed podłączeniem urządzenia sprawdź czy wartość napięcia zasilania jest identyczna z wartością podaną na

urządzeniu.

#### Montaż w kominie

1. W przypadku montowania urządzenia w kominie upewnij się, że komin nadaje się do montażu Twojego urządzenia (Rys. 18).  
**Komin musi być wyposażony w wywietrznik, umieszczony w przedniej części paleniska, o powierzchni co najmniej 88 cm<sup>2</sup>. Upewnij się, że urządzenie jest wentylowane. W przeciwnym razie efekt płomienia Opti-myst nie będzie działał prawidłowo. Nie wolno blokować obiegu powietrza wentylacyjnego.**
2. Wymontuj 4 wsporniki odstępowe w przedniej części urządzenia (rys. 19).
3. Wsuń urządzenie do kominka, do końca, od tyłu, upewniając się, że zostało osadzone w środku kominka. Przy pomocy śrub (nie dołączono) przymocuj urządzenie na miejscu (Rys. 20).
4. Upewnij się, że urządzenie znajduje się w odległości 1 m od gniazda zasilającego (Rys. 21).

#### Montaż na ścianie lub we wnęce ściennej

1. Sprawdź wymiary produktu na Rys. 1 i wykonaj odpowiednią konstrukcję montażową dla urządzenia, w odległości 1 m od gniazda zasilającego (Rys. 22). Przy pomocy śrub (nie dołączono) przykręć urządzenie na miejscu.
2. Sprawdź szczeliny wentylacyjne urządzenia. Są one zlokalizowane w przedniej części podstawy i pod urządzeniem.
3. Nadbuduj ścianę nad urządzeniem, wykorzystując wsporniki odstępowe jako prowadnicę.
4. **W przedniej części konstrukcji musi być umieszczony wywietrznik o powierzchni co najmniej 88 cm<sup>2</sup>. Upewnij się, że urządzenie jest wentylowane. W przeciwnym razie efekt płomienia Opti-myst nie będzie działał prawidłowo. Nie wolno blokować obiegu powietrza wentylacyjnego. Przykładowe wywietrzniki w ścianie lub wnęce pokazano na Rys. 23.**

#### Podłączanie przetwornika i lamp

1. Zwolnij dwa czerwone występy, obracając je o 90 stopni (Rys. 2).
2. Unieś dyszę zbiornika ociekowego (Rys. 3).
3. Połącz klampy do osad lampowych (Rys. 4), ostrożnie wprowadzając wtyki do gniazd (Rys. 4a).
4. Wciśnij lampy mocno na miejsce.
5. Umieść przetwornik w zbiorniku ociekowym i podłącz kabel do przyłącza w zbiorniku ociekowym (Rys. 5).
6. Upewnij się, że przetwornik został prawidłowo umieszczony w układzie ociekowym - występ przetwornika powinien być ustawiony równo z wytłoczoną wnęką w układzie ociekowym (Rys. 5b).
7. Upewnij się, że kabel nie jest poprowadzony między tarczami na przetworniku (Rys. 5b). Celem zapobieżenia utknięciu kabla między dyszą a zbiornikiem ociekowym, umieść kabel w szczelinie w ściance zbiornika ociekowego.
8. Zamontuj ponownie dyszę zbiornika ociekowego i umocuj ją, obracając dwa czerwone występy o 90 stopni (Rys. 6).

#### Napełnianie zbiornika na wodę.

9. Umieść zbiornik na wodę w zlewie, odkręć (kręcąc w lewo) i zdejmij nakrętkę (Rys. 7).
10. Uzupełniaj zbiornik tylko **filtrowaną wodą kranową**. Jest to niezbędne do przedłużenia żywotności urządzenia generującego efekt płomienia i dymu. Wodę należy przefiltrować przez domowy filtr, a filtr należy regularnie wymieniać.  
**Nie wolno używać wody destylowanej.**
11. Nakręć z powrotem zakrętkę, **nie dokręcając jej zbyt mocno**.
12. Zamontuj zbiornik na wodę w układzie ociekowym, nakrętkę w dół i płaską stroną na zewnątrz (Rys. 8).

#### Instalowanie kominka

13. Umieść warstwę paliwa na zbiorniku na wodę i dyszy mgiełki wodnej (Rys. 9).

## Obsługa produktu

**OSTRZEŻENIE: NIE ZASTOSOWANIE SIĘ DO TYCH INSTRUKCJI MOŻE SKUTKOWAĆ URAZAMI CIAŁA I/LUB USZKODZENIEM URZĄDZENIA.**

#### Elementy sterowania ręcznego

Ręczne elementy sterujące Opti-myst są umieszczone na podstawie urządzenia.

(Układ elementów sterowania ręcznego można znaleźć na Rys.2)

Przełącznik A: Steruje zasilaniem elektrycznym grzejnika.

Uwaga: Aby funkcja symulacji płomieni zadziałała, z grzaniem lub bez, przełącznik musi być ustawiony w położeniu „ON” (I).

Przełącznik „B”:- Wciśnij  wciśnij przycisk jednokrotnie. Czynność zostanie potwierdzona słyszalnym sygnałem akustycznym.

Chociaż oświetlenie główne włącza się natychmiastowo, uruchomienie efektu płomieni może potrwać nawet do 45 s.

Wciśnij  by przełączyć grzejnik w tryb oczekiwania. Czynność zostanie potwierdzona słyszalnym sygnałem akustycznym.

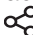
#### Pilot zdalnego sterowania

Pilot zdalnego sterowania został zapakowany wraz z 2 bateriami AA w torebce. Zdjąć pokrywę pojemnika na baterię z tylnej ścianki pilota, włożyć baterie zgodnie z polaryzacją

Pilot zdalnego sterowania został już fabrycznie sparowany z urządzeniem. W mało prawdopodobnym przypadku odłączenia pilota zdalnego sterowania od urządzenia lub uzyskania odrębnego pilota zdalnego sterowania należy wykonać proces parowania:

1. Po podłączeniu grzejnika do gniazda zasilania przestawić przełącznik A do położenia ON (I). Zostanie wyemi

towany sygnał potwierdzenia.

2. Nacisnąć i przytrzymać przycisk 6 aż do wyświetlenia komunikatu PAIR na wyświetlaczu.
3. Zbliżyć pilot zdalnego sterowania do produktu w miejscu zamontowania odbiornika  Patrz rys. 17.
4. Produkt zacznie emitować sygnał dźwiękowy i błyskać.
5. Nacisnąć przycisk 6, aby zakończyć proces parowania. Produkt przejdzie do trybu gotowości.

Włączanie urządzenia.

Aby aktywować pilot zdalnego sterowania wciśnij i przytrzymaj przycisk ENTER przez 3 sekundy. Wyświetlacz będzie pokazywał napis FIRE (ogień) a dioda ON (WŁ) będzie migać. Aby włączyć urządzenie wciśnij przycisk ENTER. Aby wyłączyć urządzenie wciśnij przycisk MENU - napis FIRE zacznie migać, wciśnij dwukrotnie przycisk ENTER.

#### Zob. Ustawienia płomienia

Pop aktywowaniu pilota zdalnego sterowania, wciśnij przycisk jednokrotnie. Wyświetlacz będzie pokazywał migający napis FIRE (ogień). Prasa ENTER Bieżące ustawienie płomienia będzie wyświetlane jako F1-F6. Aby wyregulować ustawienie wciskaj przyciski UP (DO GÓRY) i DOWN (DO DOŁU). Po wybraniu ustawienia płomienia dwukrotnie wciśnij BACK (wstecz) celem wyjścia z menu i powrotu do ekranu startowego.

#### Włączanie ogrzewania

Po aktywowaniu pilota wciśnij jednokrotnie przycisk MENU. Wyświetlacz będzie pokazywał migający napis FIRE (ogień). Wciśnij jednokrotnie przycisk ADV, napis HEAT (GRZANIE) zacznie migać. Wcisnąć ENTER Bieżące ustawienie ogrzewania będzie wyświetlane jako OFF LO HI (WŁ NIS WYS). Aby wyregulować ustawienie wciskaj przyciski UP (DO GÓRY) i DOWN (DO DOŁU). Po wybraniu ustawienia płomienia, wciśnij przycisk ENTER

#### Konfigurowanie termostatu

Wartość temperatury pokazywana na wyświetlaczu to nastawa temperatury pokojowej. Jest to temperatura, którą grzejnik będzie utrzymywać w czasie cyklu grania. Jeżeli temperatura otoczenia jest większa od tej temperatury, grzejnik nie zadziała. Grzejnik ustawiony jest fabrycznie na temperaturę 15°C, co jest typową wartością komfortowej temperatury pokojowej. Jeżeli chcesz ustawić inną temperaturę pokojową, wciśnij przycisk „do góry” lub „do dołu” na ekranie startowym, do czasu aż wyświetlacz pokaże żadaną wartość temperatury.

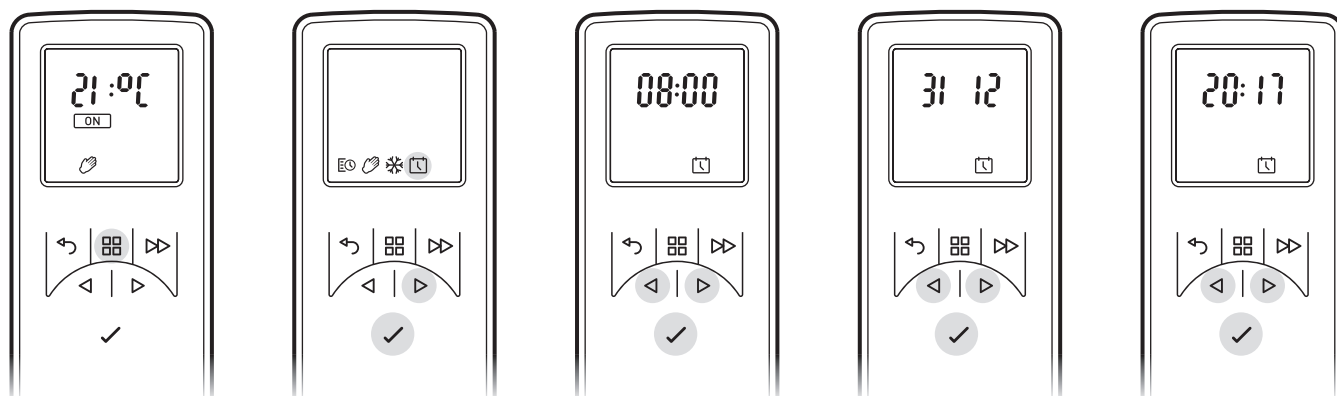
#### Wyłącznik termiczny

W grzejnik wentylatorowy wbudowany został bezpiecznik termiczny, celem zapobieżenia jego uszkodzeniu na skutek przegrzania. Może do tego dojść wtedy, gdy wylot ciepła jest zablokowany. W przypadku zadziałania bezpiecznika, odłącz grzejnika od gniazda sieciowego i podłącz ponownie po upływie ok. 10 minut. Przed ponownym włączeniem grzejnika usuń przeszkodę zasłaniającą wylot ciepłego powietrza i kontynuuj procedurę uruchamiania grzejnika. PRZESTROGA: Aby uniknąć niebezpieczeństwa związanego z przypadkowym wyzerowaniem termowłącznika, urządzenia nie można zasilac z wykorzystaniem zewnętrznego urządzenia przełączającego, takiego jak wyłącznik czasowy (timer), ani nie można podłączać go do obwodu zasilania, który jest regularnie włączany i wyłączany przez dostawcę energii.

#### Ustawianie daty i godziny

Ustawienie daty i godziny w grzejniku;

1. Wciśnij przycisk Menu.
2. Wciśnij 4 razy przycisk ^
3. Kiedy ikona Date & Time (Data i godzina) zacznie migać wciśnij przycisk „Enter”
4. Wciśnij przycisk „Enter” aby ustawić czas
5. Wcisnąc przyciski v i ^ ustaw Hour (Godzina) i wciśnij „Enter”
6. Wcisnąc przyciski v and ^ ustaw Minutes (Minuty), wciśnij „Enter” aby potwierdzić
7. Wcisnąc przyciski v i ^ ustaw Day (Dzień) i wciśnij „Enter”
8. Wcisnąc przyciski v i ^ ustaw Month (miesiąc) i wciśnij „Enter”
9. Wcisnąc przyciski v i ^ ustaw Year (Rok), wciśnij „Enter” aby potwierdzić



## Tryby pracy zdalnej

Zegar użytkownika: Oferuje użytkownikowi niezrównaną elastyczność. Dostępne są cztery szczeliny czasowe w ciągu dnia, które można dostosować do każdego dnia tygodnia. Instrukcje regulowania trybów zegara i zmieniania fabrycznych ustawień czasu i temperatury zamieszczono w rozdziale „Regulowanie trybów pracy zegara”.

Tryb sterowania ręcznego: Tryb ten realizuje podgrzewanie pomieszczenia do temperatury, która została ustawiona na pilocie zdalnego sterowania.

Ochrona przez mrozem: Tryb ten będzie utrzymywać temperaturę pokojową 7°C. Tryb ten powinien być wykorzystywany do ochrony urządzenia przed zamarznięciem, tak jak to wskazuje ikona mrozu.

## Wybieranie i ustawianie trybu pracy

Zegar użytkownika (User Timer) - Służy do przeprogramowania fabrycznych trybów pracy zegara:

1. Wciśnij przycisk Menu
2. Wciśnij jednokrotnie przycisk ^ zgodnie z harmonogram Ikona zacznie migać. Wciśnij Enter.
3. Dwukrotnie wciśnij ^ a następnie wciśnij Enter  
\*Dni robocze są teraz wyświetlane w górnej części ekranu\*  
Dzień 1 = poniedziałek  
Dzień 2 = wtorek  
Dzień 3 = środa  
Dzień 4 = czwartek  
Dzień 5 = piątek  
Dzień 6 = sobota  
Dzień 7 = niedziela
4. Wciśnij Enter aby zmodyfikować dzień 1 (Modify Day 1) lub wciśnij ^ aby przejść do żądanego dnia po czym wciśnij Enter aby wybrać ten dzień
5. Na ekranie wyświetlony zostanie napis P1
6. Wciśnij Enter aby wybrać P1, przejść do P2, P3 lub P4, wciśnij ^ aby wybrać ten program
7. Zapali się dioda ON (WŁ), wciśnij Enter aby ustawić czas
8. Wciśnij v lub ^ aby ustawić Hour (Godziny), wciśnij „Enter” aby potwierdzić
9. Wciśnij v lub ^ aby ustawić Minute (Minuty), wciśnij „Enter” aby potwierdzić
10. Wciśnij v lub ^ aby wyregulować ustawienie temperatury, wciśnij „Enter” aby potwierdzić
11. Wciśnij v lub ^ aby ustawić Hour (Godziny), wciśnij „Enter” aby potwierdzić
12. Wciśnij v lub ^ aby ustawić Minute (Minuty), wciśnij „Enter” aby potwierdzić

Wciśnij Enter aby zmodyfikować Program P2, wykonaj kroki 5 do 12, wciśnij ^ aby przejść do Programu P3

Wciśnij Enter aby zmodyfikować Program P3, wykonaj kroki 5 do 12, wciśnij ^ aby przejść do Programu P4

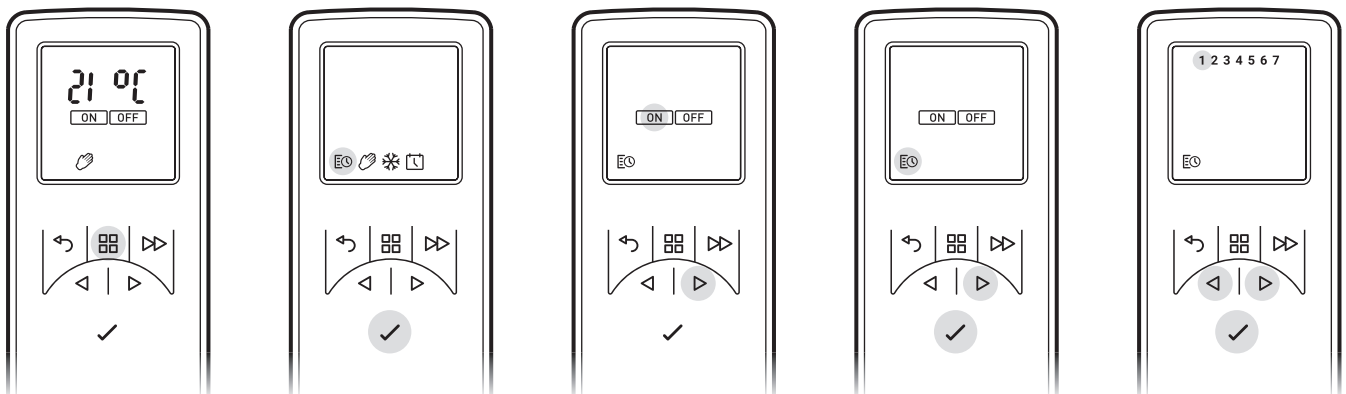
Wciśnij Enter aby zmodyfikować Program P4, wykonaj kroki 5 do 12

Aby skopiować nowowprowadzone programy grzania P1 do P4 do innych dni, wciśnij przycisk Enter.

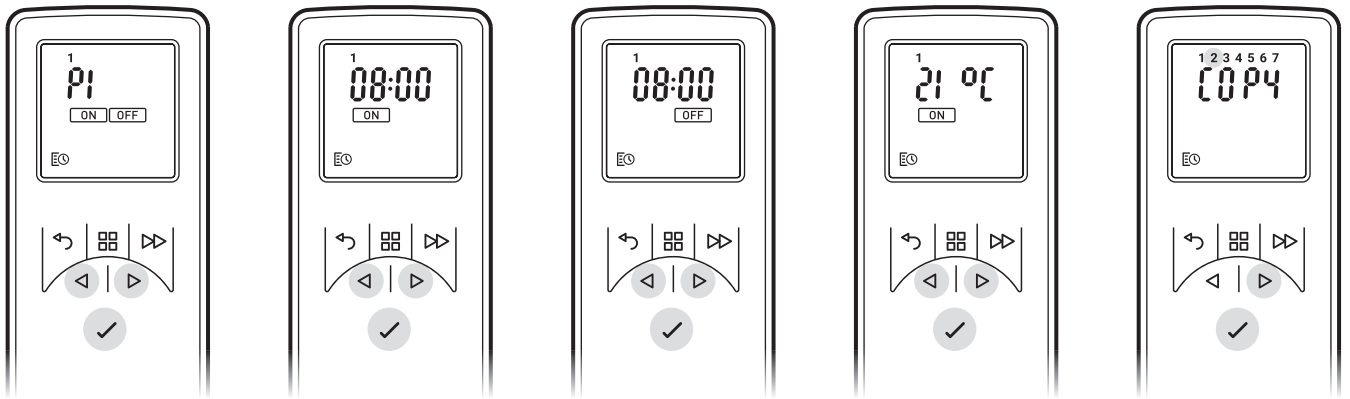
Na ekranie wyświetlony zostanie napis Kopia

Aby skopiować ustawienia do następnego dnia, wciśnij przycisk ^. Aby odznaczyć kolejny dzień, wciśnij Przycisk „Enter”.

Wybrane dni tygodnia zostaną wyświetlone w górnej części ekranu. Dni odznaczone nie będą już widoczne (zob. Schematy). Wciśnij „Enter” aby potwierdzić, podświetlenie zamiga i wróci do ekranu startowego.





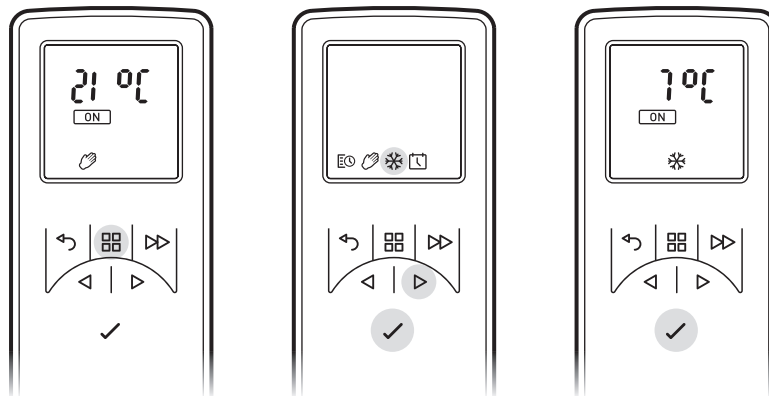


Tryb sterowania ręcznego - Aby wybrać tryb ogrzewania ciągłego. Tryb ten ignoruje zegar użytkownika (User Timer) i utrzymuje wyświetlaną temperaturę.

- Wciśnij przycisk Menu
- Wciśnij trzykrotnie przycisk ^ celem podświetlenia ikony dłoni
- Wciśnij „Enter” aby potwierdzić
- Ustaw żadaną wartość temperatury używając przycisków v i ^

Ochrona przed zamarzaniem - Tryb ochrony przed zamarzaniem utrzymuje temperaturę 7°C przez okres 24 godzin. Tryb ten powinien być wykorzystywany do ochrony urządzenia przed zamarznięciem, tak jak to wskazuje ikona mrozu.

- Wciśnij przycisk Menu
- Wciśnij trzykrotnie przycisk ^ celem podświetlenia ikony płatka śniegu
- Wciśnij „Enter” aby potwierdzić
- Wciśnij v lub ^ aby wyjść z tego trybu i przejść do trybu sterowania ręcznego.



### Uzyskiwanie żadanego efektu płomienia

1. Wciśnij przycisk MENU na pilocie zdalnego sterowani, wyświetlacz pokaże migający napis FIRE (ogień), po czym wciśnij przycisk ENTER. Wyświetlone zostanie bieżące ustawienie. Wciśnij ^ lub v celem przełączenia się między F1 a F6. F1 to ustawienie najniższe, a F6 to ustawienie najwyższe.
2. Zasadniczo, płomienie wyglądają bardziej realistycznie wtedy, gdy poziom jasności płomieni jest mniejszy.
3. Pozostaw generator płomienia na chwilę, do czasu aż zareaguje na wprowadzone zmiany.
4. O ustawieniu niższego poziomu grzejnik będzie zużywał mniej wody na efekt dymu.
5. Nie przechylaj ani nie przenoś grzejnika kiedy w zbiorniku wody lub w zbiorniku ociekowym znajduje się woda.
6. Upewnij się, że grzejnika został ustawiony na poziomej podłodze.

### Dostosowanie wyświetlacza

Maksymalna wartość nastawy temperatury dla produktu wynosi 32°C Możesz obniżyć tę wartość Możesz także zmienić °C na °F

1. Wciśnij przycisk Menu.
2. Wciśnij dwukrotnie przycisk ADV - napis SP zacznie migać.
3. Wciśnij „Enter” aby potwierdzić.
4. Wciśnij v lub ^ aby wybrać pomiędzy °C i °F.
5. Wciśnij „Enter” aby potwierdzić.
6. Wciśnij v lub ^ aby wybrać maksymalną wartość nastawy temperatury.
7. Wciśnij „Enter” aby potwierdzić.
8. Aby powrócić do ekranu startowego, wciśnij trzykrotnie przycisk BACK (WSTECZ).

### Adaptive Start (Uruchomienie opóźnione)

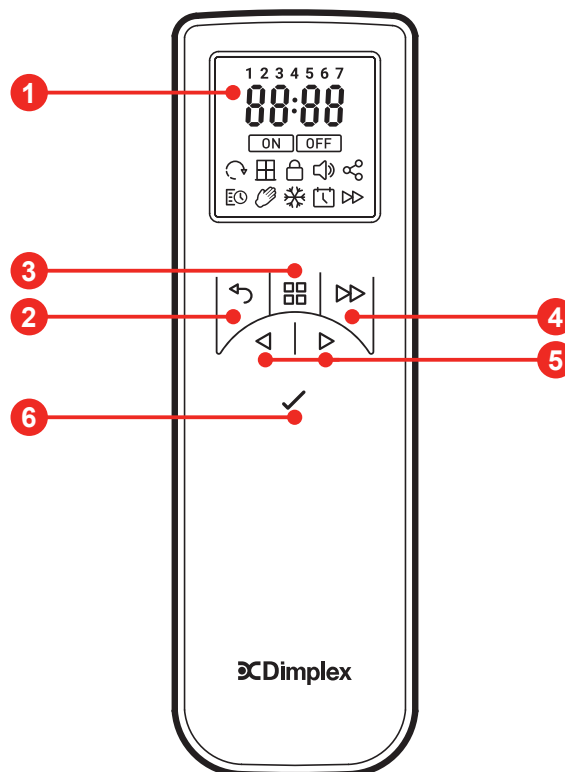
Wbudowane układy elektroniczne urządzenia wyposażone zostały w funkcję uczenia się, w zakresie jak długo należy ogrzewać pokój aby uzyskać ustawioną temperaturę pokojową. Po nauczaniu się, jak szybko można nagrzać pomiesz-

czenie, urządzenie może włączyć się z odpowiednim wyprzedzeniem, celem nagrzania pomieszczenia do komfortowej temperatury w odpowiednim czasie. Jeżeli, przykładowo, wstajesz o godzinie 7.00, musi zgadywać kiedy włączyć grzejnik aby nagrzał pokój w odpowiednim czasie. W zależności od temperatury na zewnątrz, może to oznaczać, że po wyjściu z łóżka w sypialni wciąż jest zimno lub że grzejnik zdążył już ogrzać pokój. Uruchomienie opóźnione oznacza, że po wybraniu wartości 21°C grzejnik włączy się o godzinie 7.00, dokładnie wtedy, kiedy musi, celem spełnienia tego wymagania, pracując przez krótkie okresy podczas łagodnej pogody, gwarantując przyjemną temperaturę pomieszczenia w zimie.

Funkcja Adaptive Start (Uruchomienie opóźnione) włączana jest automatycznie wtedy, gdy używany jest tryb zegara (Timer Mode).

## Pilot zdalnego sterowania

- 1 Ekran wyświetlacza
- 2 Przycisk „Back” (Wstecz)
- 3 Przycisk „Menu”
- 4 Przycisk „Advance” (Dalej)
- 5 Przyciski strzałek do góry i do dołu
- 6 Przycisk „Enter”



## Konserwacja

### OGÓLNE WSKAZÓWKI

W urządzeniu należy używać wyłącznie filtrowaną wodę kranową.

Urządzenie należy ustawiać na stabilnej, płaskiej powierzchni.

Jeżeli nie planujesz korzystania z urządzenia przez dłużej niż 2 tygodnie, opróżnij zbiornik wody oraz zbiornik ociekowy.

Po zamontowaniu nigdy nie przenoś urządzenia, ani nie kładź go na „grzbiecie”, bez wcześniejszego usunięcia wody ze zbiornika na wodę i zbiornika ociekowego.

Urządzenia nie wolno pozostawiać włączonym, kiedy lampy nie działają.

Lampy należy regularnie kontrolować, zgodnie z instrukcjami w rozdziale „Wymiana lamp”.

### NAPEŁNIANIE ZBIORNIKA NA WODĘ

Po opróżnieniu zbiornika i zatrzymaniu efektu płomienia i dymu, usłyszysz 2 sygnały dźwiękowe. Wykonaj poniższe kroki.

1. Wciśnij Przełącznik „A” na (0) (Rys. 10)
2. Unieś ostrożnie warstwę paliwa i odłóż ją na bok.
3. Wymontuj zbiornik na wodę podnosząc go do góry i na zewnątrz.
4. Umieść zbiornik na wodę w zlewie, odkręć nakrętkę kręcąc w lewo. (Rys. 7)
5. Napełnij zbiornik **tylko filtrowaną wodą kranową**. Jest to niezbędne do przedłużenia żywotności urządzenia generującego efekt płomienia i dymu.  
Wodę należy przefiltrować przez domowy filtr, a filtr należy regularnie wymieniać.
6. Nakręć z powrotem zakrętkę, nie dokręcając jej zbyt mocno.
7. Zamontuj zbiornik ponownie w układzie ociekowym, nakrętką w dół i płaską stroną do góry. (Rys. 8)
8. Ostrożnie umieść warstwę paliwa na swoim miejscu. (Rys. 9)
9. Ustaw przełącznik „A” w położenie ON (WŁ) (I) (Rys. 10)

### WYMIANA LAMP

Kiedy efekt ognia i dymu staje się szary lub bezbarwny, oznacza to uszkodzenie jednej lub kilku lamp. Możesz sprawdzić lampę, w poniższy sposób.

1. Pozostawiając efekt płomienia włączony, podnieś warstwę paliwa i zbiornik na wodę.
2. Powinno być widać lampy z dyszami na miejscu - sprawdź, którą lampę należy wymienić.
3. Ustaw przełącznik „A” w położeniu OFF (WYŁ) i wyjmij wtyczkę z gniazda zasilania.
4. Przed przystąpieniem do demontażu lamp, pozostaw urządzenie na 20 minut, tak aby lampy się ochłodziły.
5. Wymontuj zbiornik ociekowy, zgodnie z opisem w sekcji Czyszczenie.
6. Zdemontować wadliwą lampę, ostrożnie ją unosząc i wyjmując jej wtyki z osady lampy (Rys. 4 i 4a).  
Wymień na barwną lampę OPTIMYST, 12 V, 45 W z trzonem Gu5.3, kątem wiązki 8°. (Dokupienia u Twojego dostawcy)
7. Ostrożnie włóż dwa styki nowej lampy w otwory osady lampy. Wciśnij lampę mocno na jej miejsce. (Rys. 4 i 4a).
8. Zamontuj ponownie zbiornik ociekowy, zbiornik na wodę i warstwę paliwa.

## CZYSZCZENIE

**Ostrzeżenie** - Przed przystąpieniem do czyszczenia urządzenia zawsze ustaw przełącznik A w położeniu OFF (WYŁ) (0) (Rys. 10) i odłącz je od gniazda zasilania.

Zalecamy czyszczenie poniższych komponentów co najmniej raz na 2 tygodnie, szczególnie w przypadku korzystania z twardej wody:

Zbiornik na wodę, zbiornik ociekowy, dysza, zakrętka i uszczelka zbiornika, filtr powietrza.

Do czyszczenia należy używać miękkiej ściereczki – nigdy nie stosować ściernych środków czyszczących.

Aby usunąć kurz i zanieczyszczenia z kratki wylotowej wentylatora grzejnika, od czasu do czasu należy oczyścić ją odkurzaczem z założoną końcówką w postaci miękkiej szczotki.

### Zbiornik wodny

1. Zdemontuj zbiornik na wodę, w sposób opisany wcześniej, włóż go do zlewu i opróżnij z wody.
2. Przy pomocy dołączonej szczotki oczyść ostrożnie wewnętrzne powierzchnie zakrętki, zwracając szczególną uwagę na pierścień gumowy w rowku zewnętrznym oraz centralną uszczelkę gumową.
3. Wlej do zbiornika niewielką ilość płynu do mycia, ponownie załóż zakrętkę i potrząśnij, płukaj do czasu usunięcia całego płynu.
4. Uzupełniaj zbiornik na wodę tylko filtrowana woda kranowa, załóż nakrętkę, nie zakręcając jej zbyt mocno.

### Zbiornik ociekowy

1. Ustaw przełącznik „A” w położeniu OFF (WYŁ) (0).
2. Unieś ostrożnie warstwę paliwa i odłóż ją ostrożnie na podłogę.
3. Wymontuj zbiornik na wodę podnosząc go do góry.
4. Odłącz przyłącze elektryczne, zlokalizowane po prawej stronie zbiornika ociekowego. (Rys. 5).
5. Zwolnij dwa górne zatrzaski blokujące zbiornik ociekowy, obracając je o 90°. Umożliwia to całkowite wyjęcie zbiornika ociekowego z jego miejsca w urządzeniu. (Rys. 11)
6. Ostrożnie unieś zbiornik ociekowy, tak aby nie wylać znajdującej się w nim wody. Ustaw zespół w zlewie.
7. Zwolnij dwa górne zatrzaski blokujące zbiornik ociekowy, obracając je o 90°, a następnie unieś dyszę. (Rys. 3)
8. Ostrożnie wyjmij przetwornik i ostrożnie przechyl go, jak pokazano na ilustracji, celem opróżnienia zbiornika ociekowego z cieczy. (Rys. 13)
9. Wlej niewielką ilość płynu do mycia do zbiornika ociekowego, ostrożnie wyczyść przetwornik, łącznie z tarczami metalowymi, zlokalizowanymi w rowku górnym. (Rys. 14)
10. Po oczyszczeniu, starannie opłukaj zbiornik ociekowy czystą wodą, celem usunięcia wszystkich śladów środka do czyszczenia.
11. Wyczyść dyszę przy pomocy pędzla i opłukaj go dokładnie wodą. (Rys. 15)
12. Zmontuj urządzenie ponownie, wykonując powyższe czynności w odwrotnej kolejności.

### Filtr powietrza:

1. Unieś ostrożnie warstwę paliwa i odłóż ją ostrożnie na podłogę.
2. Ostrożnie wysuń filtr powietrza z jego osłony z tworzywa. (Rys. 16)
3. Przed zwrotem ostrożnie opłukaj wodą w zlewie i osusz ręcznikiem materiałowym.
4. Zamontuj ponownie filtr, upewniając się, że czarny filtr zgrubny umieszczony jest z przodu urządzenia.
5. Zamontuj ponownie warstwę paliwa.

## Dodatkowe informacje

### OBSŁUGA POSPRZEDAŻNA

Produkt objęty jest dwuletnią gwarancją od daty zakupu. W tym okresie zobowiązujemy się do bezpłatnego naprawienia lub wymiany produktu (z wyjątkiem lamp i pod warunkiem dostępności), pod warunkiem że został on zainstalowany i był użytkowany zgodnie z niniejszymi instrukcjami. Twoje prawa wynikające z niniejszej Gwarancji są dodatkowe do praw ustawowych, na które z kolei niniejsze prawa nie mają wpływu.

### RECYKLING



Dotyczy produktów elektrycznych sprzedawanych w krajach Unii Europejskiej: Po zakończeniu eksploatacji urządzeń elektrycznych nie wolno utylizować razem z odpadami domowymi. W miarę możliwości prosimy o przekazanie do recyklingu. Aby uzyskać więcej informacji na temat możliwości utylizacji, lokalnych lub sprzedawcy gdzie możesz oddać urządzenie do recyklingu.

## PATENT / WNIOSEK PATENTOWY

Produkty z serii Optimyst chronione są przez jeden lub kilka poniższych patentów i wniosków patentowych:

Wielka Brytania GB 2402206, GB 2460259, GB 2460453, GB 2418014, GB 2465738, GB 2449925, GB 2465537, GB 2455277, GB1020534.2, GB1020537.5, GB1110987.3

Stany Zjednoczone US 7967690, US 2010299980, US 2011062250, US 2008028648, US 13/167,042

Rosja RU2008140317

Europa EP 2029941, EP 2201301, EP 2315976, EP 1787063, EP07723217.1, EP11170434.2, EP 11170435.9

Chiny CN 101883953, CN 200980128666.2, CN 101057105, CN 101438104

Australia AU 2009248743, AU 2007224634

Kanada CA 2725214, CA 2579444, CA 2645939

Międzynarodowy wniosek patentowy WO 2006027272

Republika Południowej Afryki ZA 200808702

Meksyk MX 2008011712

Korea KR 20080113235

Japonia JP 2009529649

Brazylia BR P10708894-9

Indie IN 4122/KOLNP/2008

Nowa Zelandia NZ 571900

### Rozwiązywanie problemów

Objaw	Przyczyna	Przeciwdziałanie
Nie można uruchomić efektu płomienia.	Wtyczka zasilania nie jest podłączona do gniazda.  Niski poziom wody w zbiorniku.  Przyłącze niskiego napięcia nie został prawidłowo podłączony. (Rys. 5)  Przetwornik nie został prawidłowo osadzony w zbiorniku ociekowym	Sprawdź, czy wtyczka jest prawidłowo podłączona do gniazda zasilania.  Sprawdź, czy zbiornik na wodę i zbiornik ociekowy są pełne.  Sprawdź, czy przyłącze zostało podłączone prawidłowo. (Rys. 5)  Upewnij się, że przetwornik dalej spoczywa w wytłoczonej wnęce w podstawie zbiornika ociekowego
Efekt płomienia jest zbyt mały.	Efekt płomienia jest ustawiony na zbyt mały. (Rys. 10)  Metalowa tarcza w przetworniku może być zabrudzona (Rys. 14)  Przewód od przetwornika spoczywa na tarczy metalowej	Zwiększ poziom jasności płomienia przy pomocy pilota zdalnego sterowania (zob. rozdział „Obsługa produktu”).  Tarczę metalową wyczyść przy pomocy dołączonego miękkiego pędzla. (Rys. 14) Procedurę postępowania opisano, krok po kroku, w rozdziale „Konserwacja”.  Poprowadź przewód do tylnej części zbiornika ociekowego, upewnij się że znajduje się on w bocznej szczelinie wychodzącej ze zbiornika ociekowego.
Nieprzyjemny zapach w czasie używania urządzenia.	Woda jest zabrudzona lub stęchła.  Użycie niefiltrowanej wody kranowej.	Wyczyść urządzenie zgodnie z opisem w sekcji Konserwacja.  W urządzeniu należy używać wyłącznie filtrowaną wodę kranową.
Efekt płomienia emituje zbyt dużo dymu.	Ustawienie efektu płomienia jest zbyt duże.	Pokręć gałką regulacji efektu płomienia D w prawo, o ok. ¼ obrotu na raz. Przed ustawieniem nowego poziomu płomienia poczekaj chwilę, aż generator będzie gotowy do pracy. (Rys. 10)
Lampy główne nie działają, brak efektu ognia lub dymu.	Brak wody w zbiorniku na wodę.	Wykonaj instrukcje opisane w rozdziale <b>Konserwacja</b> , „Napełnianie zbiornika na wodę”.  Sprawdź, czy wtyczka została podłączona prawidłowo do gniazda sieciowego, oraz czy przełącznik „A” na Rys. 10 jest w położeniu „ON” (I).

## Inledning

Läs denna informationsguide noga så att du kan installera, använda och underhålla produkten på ett säkert sätt.

## Viktig säkerhetsinformation

**FÖRSIKTIGHET! UNDERLÅTENHET ATT FÖLJA DENNA BRUKSANVISNING KAN RESULTERA I PERSON- OCH/ELLER EGENDOMSSKADOR SAMT EVENTUELLT OCKSÅ UPPHÄVA GARANTIN.**

### Viktig säkerhetsinformation

Vid användning av elektriska apparater bör grundläggande försiktighetsåtgärder vidtas för att minska risken för brand, elstötar och personskador, inklusive följande:

- Om apparaten är skadad, kontrollera med leverantören före installation och användning.
- Använd den inte utomhus.
- Använd inte apparaten i närheten av bad, dusch eller simbassäng.
- Denna apparat får inte placeras omedelbart nedanför ett fast vägguttag eller en kopplingsplint.

Varning! Den här värmaren får inte användas för något annat än normala hushållsändamål i det land där den köps från en erkänd detaljhandel.

Denna produkt kan användas av barn i åldrarna 8 år och äldre och av personer med nedsatt fysisk, sensorisk eller mental förmåga eller brist på erfarenhet och kunskap, om de står under tillsyn eller får instruktioner om hur produkten används på ett säkert sätt och förstå de risker som är förknippade med dess användning. Barn får inte leka med produkten. Rengöring och underhåll som kan utföras av användaren får inte göras av barn utan tillsyn.

Barn under 3 år får inte vistas i närheten av produkten utan tillsyn. Barn mellan 3 år och 8 år får endast slå på/stänga av produkten förutsatt att den har placerats eller installerats i sitt avsedda normala driftsläge och att de har fått tillsyn eller instruktioner om användningen av produkten på ett säkert sätt och förstår de risker som är förknippade med dess användning. Barn mellan 3 år och 8 år får inte ansluta, reglera och rengöra produkten eller utföra användarunderhåll.

Varning! Denna apparat måste jordas.

Användning av förlängningssladdar eller grenuttag är inte tillrådlig vid anslutning av den här produkten till nätspänning. Anslutning genom dessa enheter kan skapa en risk för överbelastning, överhettning och i värsta fall brand vid förlängningssladden eller adaptern på grund av bristfällig anslutningskvalitet.

Denna värmare får endast drivas med nätspänning (växelström/~) och den märkspänning som anges på värmaren måste motsvara matningsspänningen.

Använd inte apparaten seriekopplad med en värmeregulator, programregulator, timer eller andra anordningar som slår på värmen automatiskt, eftersom det föreligger brandrisk om apparaten täcks över eller flyttas/rubbas ur läge av misstag.

Använd INTE värmaren på mattor med hög lugg eller ryamattor eller mindre än på 750 mm avstånd från överhängande ytor. Håll brandfarliga material, som överdrag eller andra möblemang, borta från framsidan, sidorna och baksidan av värmaren. Använd inte värmaren för att torka tvätt.

Koppla bort apparaten från vägguttaget om det uppstår fel på den. Koppla från apparaten när den inte ska användas under en längre period.

Produkten måste placeras så att kontakten är lätt åtkomlig. Om nätsladden är skadad måste den bytas ut av tillverkaren, ett serviceombud eller en person med liknande behörighet för att undvika fara. Håll nätsladden borta från apparatens framsida.

Försiktighet! Vissa delar av produkten kan bli mycket heta och orsaka brännskador. Särskild uppmärksamhet krävs när barn och utsatta människor finns i närheten.

Varning! Täck inte över apparaten eftersom det då finns risk för överhettning. Placera inte material eller kläder på produkten. Blockera inte heller luftcirkulationen runt produkten med t.ex. gardiner eller möbler eftersom detta kan orsaka överhettning och utgör brandrisk. Apparaten är försedd med en varningsdekal med texten DO NOT COVER (Får inte täckas över).

Varning! För att undvika en olycka på grund av oavsiktlig återställning av värmesäkringen får denna produkt inte anslutas genom en extern kopplingsanordning, t.ex. en timer, eller kopplas till en strömkrets som regelbundet sätts igång och stängs av genom anordningen.

## Allmän information

Använd endast filtrerat vatten i apparaten.

Se alltid till att apparaten är placerad på en plan yta.

Även om denna värmare uppfyller säkerhetsnormerna, rekommenderar vi inte att den används på mattor med hög lugg eller ryamattor.

Obs! Om apparaten används i en miljö med mycket låg ljudnivå kan ljud från flameffekten höras. Detta är normalt och inget att oroa sig för.

Om den här produkten utsätts för överströmning av något skäl kan det hända att säkringen slår från. Det är en normal säkerhetsfunktion och normal drift återställs efter 30 sekunder.

När apparaten har insallerats ska den aldrig flyttas eller läggas på rygg, utan att först ha tappat av vattnet från sumpen och vattentanken.

Om du inte tänker använda apparaten på mer än 2 veckor ska du tappa av vattnet från sumpen och låta sumpen torka.

Vattentanken, sumpen, sumpens lock, tankens lock och luftfiltren måste rengöras en gång varannan vecka, i synnerhet i regioner med hårt vatten.

Apparaten bör aldrig användas om lamporna inte fungerar.

Lamporna ska inspekteras regelbundet enligt beskrivningen i avsnitten "Underhåll" och "Byta lampor".

### Teknisk information

Modell-nr: ENG56-400 E, ENG68-400 E, ENG56-600 E

Värmeeffekt		230 V	240 V	
Nominell värmeeffekt	$P_{\text{Nom}}$	1,8	2,0	kW
Lägsta värmeeffekt	$P_{\text{min}}$	0,9	1,0	kW
Maximal kontinuerlig värmeeffekt	$P_{\text{max}}$	1,8	2,0	kW
Elförbrukning för underordnade funktioner				
I vänteläge	$P_{\text{Nom}}$	0,45	0,48	W

elektronisk rumstemperaturreglering plus veckotimer

## Installationsanvisningar

Detta avsnitt beskriver hur man installerar eldstaden.

### INNAN DU BÖRJAR

1. Se till att allt emballage har avlägsnats (läs alla varningsdekaler noga), men spara förpackningen för eventuell framtida användning, t.ex. om du flyttar eller behöver returnera eldstaden till leverantören.
2. Kontrollera att nätspänningen är densamma som värmarens märkspänning innan du kopplar in den.  
Installation i en eldstad med spiselkrans

1. När den här apparaten installeras i en eldstad med spiselkrans är det viktigt att välja en spiselkrans som lämpar sig för apparaten (se fig. 18). **Det ska finnas en luftventil på framsidan av eldstaden och spiselkransen på minst 88 cm<sup>2</sup>. Den är viktig så att luft kan cirkulera i apparaten – i annat fall finns det risk för att Opti-mysts flameffekt inte fungerar som den ska. Denna luftkanal får inte blockeras.**
2. Avlägsna de fyra distansfästena på framsidan av apparaten (se fig. 19).
3. För in apparaten i eldstadens spiselkrans hela vägen in. Se till att den står i mitten av spiselkransen. Använd lämpliga skruvar (medföljer ej) för att skruva fast apparaten (se fig. 20).
4. Se till att eldstaden är placerad inom 1 m från ett vägguttag (se fig. 21).

Montering i en vägg eller en utfackningsvägg

1. Observera produktmått i fig. 1 och bygg en lämplig struktur som apparaten kan monteras i, inom 1 m från ett vägguttag (se fig. 22). Använd lämpliga skruvar (medföljer ej) för att skruva fast apparaten.
2. Observera ventilhålen på apparaten. De sitter på basen fram till och under apparaten.
3. Bygg upp väggen mot apparaten med hjälp av distansfästen som en guide.
4. **Det ska finnas en luftventil på framsidan av strukturen på minst 88 cm<sup>2</sup>. Det är viktigt att luft kan cirkulera i apparaten – i annat fall finns det risk för att Opti-mysts flameffekt inte fungerar ordentligt. Denna luftkanal får inte blockeras. För exempel på luftventiler i en vägg eller utfackningsvägg, se fig. 23.**

Ansluta omvandlarenheten + lampor

1. Frigör de två röda flikarna genom att vända dem 90 grader (se fig. 2).
2. Lyft ut sumpmunstycket (se fig. 3).
3. Sätt in lamporna i lamphållarna (se fig. 4) genom att försiktigt föra in stiften i hålen (se fig. 4a).
4. Tryck lamporna på plats med fast hand.
5. Placera omvandlarenheten i sumpen och anslut kabeln till kontakten på sumpen (se fig. 5).
6. Kontrollera att omvandlarenheten är korrekt anslutna i sumpen genom att kontrollera att omvandlarenheten är inriktad mot den gjutna infällningen i sumpen (se fig. 5a).
7. Se till att kabeln inte är placerad ovanför skivan i omvandlarenheten (se fig. 5b). För att förhindra att kabeln kommer i kläm mellan munstycket och sumpen ska kabeln placeras i skåran i väggen på sumpen.
8. Sätt tillbaka sumpmunstycket och säkra det genom att vrida de två röda flikarna 90 grader (se fig. 6).

Fylla vattentanken

9. Placera vattentanken i vasken och ta av locket genom att vrida det moturs (se fig. 7).
10. Fyll tanken med **enbart filtrerat kranvatten**. Detta är nödvändigt för att flam- och rökfunktionsenheten inte ska sluta fungera i förtid. Vattnet bör filtreras genom ett konventionellt vattenfilter för hushållsbruk. Var noga med att byta detta filter regelbundet. Destillerat vatten får **inte** användas.
11. Skruva tillbaka locket på – **men dra inte åt för hårt**.
12. Placera tanken på sumpen så att tanklocket är vänt nedåt och den platta sidan av tanken är vänd utåt (se fig. 8).

Montering av eldstaden

13. Placera glödbädden ovanpå vattentanken och immunstycket (se fig. 9).

## Använda produkten

**VARNING! UNDERLÅTENHET ATT FÖLJA DENNA BRUKSANVISNING KAN RESULTERA I PERSON- OCH/ELLER EGENDOMSSKADOR.**


### Manuella kontroller

De manuella Opti-myst-kontrollera sitter på apparatens bas

(se fig. 2 för de manuella kontrollernas layout).

Omkopplare A: Reglerar strömförsörjningen till eldstaden.

Obs! Denna omkopplare måste stå i läge PÅ (I) för att eldstaden ska kunna användas med eller utan värme när den är aktiverad.

Omkopplare B: Tryck  på denna en gång för att slå på flameeffekten. Detta indikeras med en pipsignal. Även om huvudlamporan tänds omedelbart tar det ytterligare 45 sekunder innan flameeffekten startar.


Tryck på  på omkopplaren för att ställa om eldstaden i vänteläge. Detta indikeras med ett pip.

### Fjärrkontroll

Fjärrkontrollen ligger förpackad med 2 AA-batterier i en påse. Öppna batterifacket på baksidan av fjärrkontrollen och sätt i batterierna. Var uppmärksam på polariteten.

Fjärrkontrollen har redan kopplats till din produkt under fabriksmontering. I det osannolika fall att fjärrkontrollen frångöps produkten, eller om du får en extra fjärrkontroll, måste du slutföra anslutningsprocessen:

1. När produkten är inkopplad trycker du på knappen A till läget ON (I). Ett pip bör höras
2. Håll "knapp 6" intryckt tills PAIR visas på skärmen

3. Håll fjärrkontrollen nära den produkt där mottagaren finns . Se fig. 17
4. Produkten börjar pipa och blinka
5. Tryck på "knapp 6" för att slutföra anslutningsprocessen. Produkten går in i viloläge.

Slå på apparaten

Håll ner ENTER-knappen i 3 sekunder för att aktivera fjärrkontrollen. Texten FIRE (Eldstad) visas på displayen och ON (På) blinkar. Tryck på ENTER för att slå på apparaten. Du stänger av apparaten genom att trycka på MENU (Meny) så att FIRE börjar blinka och sedan två gånger på ENTER.

### Justera flaminställningen

Med fjärrkontrollen aktiverad, tryck på MENU en gång. FIRE börjar blinka på displayen. Tryck på ENTER. Den nuvarande flaminställningen visas (F1–F6). Tryck på UP- och DOWN-knapparna (Uppåt/Nedåt) för att justera inställningen. När du har valt flaminställningen trycker du på BACK (Tillbaka) två gånger för att gå ur menyn och återvända till startdisplayen.

### Slå på värmen

Med fjärrkontrollen aktiverad, tryck på MENU en gång. FIRE börjar blinka på displayen. Tryck ADV (Framåt) en gång. HEAT börjar blinka. Tryck på ENTER. Den nuvarande värmeinställningen visas (OFF [Av], LO [Låg], HI [Hög]). Tryck på UP- och DOWN-knapparna (Uppåt/Nedåt) för att justera inställningen. Välj önskad värmeinställning och tryck på ENTER.

### Ställa in termostaten

Temperaturen som visas på displayen är inställningen för rumstemperatur. Detta är den temperatur som värmaren kommer att upprätthålla medan värmaren är aktiverad. Om rumstemperaturen stiger över den här temperaturen slutar värmaren att arbeta. Fabriksinställningen för värmare är en rumstemperatur på 15 °C, vilket motsvarar en normal, behaglig rumstemperatur. Om du önskar en annan rumstemperatur trycker du på uppåt- eller nedåtknapparna på startdisplayen tills rätt temperatur visas.

### Termisk säkerhetsavstängning

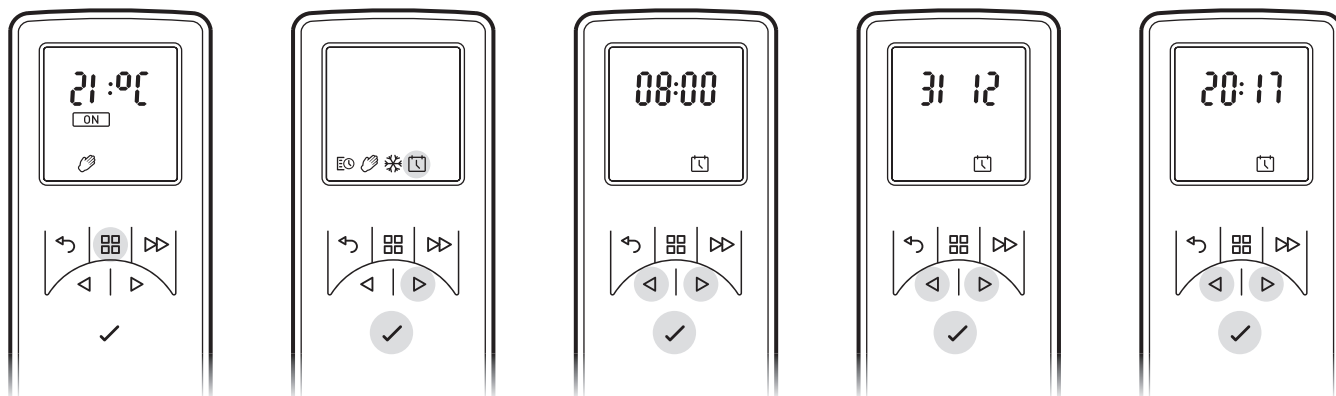
Det sitter en värmesäkring i värmefläkten för att förhindra skador på grund av överhettning. Detta kan till exempel hända om värmeutloppet är blockerat på något sätt. Om värmesäkringen utlöses ska du koppla bort värmaren från vägguttaget och vänta ca 10 minuter innan du ansluter den igen. Innan du slår på värmaren igen ska du ta bort alla föremål som kan tänkas blockera på värmeutloppet, innan du fortsätter normal användning.

**FÖRSIKTIGHET!** För att undvika en olycka på grund av oavsiktlig återställning av värmesäkringen får denna produkt inte anslutas via en extern kopplingsanordning, t.ex. en timer, eller kopplas till en strömkrets som regelbundet slås till och från.

### Ställa in datum och tid

Så här ställer du in datum och tid på värmaren:

1. Tryck på MENU (Meny).
2. Tryck på uppåtpilen (^) 4 gånger.
3. Tryck på ENTER när datum- och tidsikonerna blinkar.
4. Tryck på ENTER för att ställa in tiden.
5. Tryck på nedåt- (v) och uppåtpilarna (^) för att ställa in timme och tryck på ENTER.
6. Tryck på nedåt- (v) och uppåtpilarna (^) för att ställa in minuterna och tryck på ENTER för att bekräfta.
7. Tryck på nedåt- (v) och uppåtpilarna (^) för att ställa in dag och tryck på ENTER.
8. Tryck på nedåt- (v) och uppåtpilarna (^) för att ställa in månad och tryck på ENTER.
9. Tryck på nedåt- (v) och uppåtpilarna (^) för att ställa in år och tryck på ENTER för att bekräfta datumet.





Användartimer: Ger användaren största möjliga flexibilitet. Det finns fyra tidsfönster under dagen och de kan anpassas för varje dag i veckan. Se avsnittet "Så här ställer du in timerlägen" för anvisningar om hur du justerar dem från fabriksinställningarnas tidsperioder och temperaturer.

Manuellt läge: I det här läget värms rummet upp till den temperatur som du ställer in på fjärrkontrollen.

Frostskydd: Det här läget upprätthåller en rumstemperatur på 7 °C. Det här läget bör användas för att skydda mot frost (vilket indikeras av frostikonen).

### Välja och ställa in läge

Användartimer – så här programmerar du om de fabriksinställda timerlägena:

1. Tryck på MENU (Meny).
2. Tryck på uppåt-pilen (^) en gång. Schemaikonen börjar blinka. Tryck på ENTER.
3. Tryck på uppåt-pilen (^) två gånger och sedan på ENTER.  
\*Veckans dagar visas högst upp på displayen.\*  
Dag 1 = måndag, dag 2 = tisdag, dag 3 = onsdag, dag 4 = torsdag, dag 5 = fredag, dag 6 = lördag, dag 7 = söndag
4. Tryck på ENTER för att ändra dag 1 eller på uppåt-pilen (^) för att gå till önskad dag och tryck på ENTER för att välja.
5. Det står P1 på displayen.
6. Tryck på ENTER för att välja P1, eller på uppåt-pilen (^) för att gå till P2, P3 eller P4 och tryck på ENTER för att välja.
7. ON markeras. Tryck på ENTER för att ställa in påslagningstiden.
8. Tryck på nedåt- (v) och uppåt-pilarna (^) för att justera påslagningstimmen och tryck på ENTER för att bekräfta.
9. Tryck på nedåt- (v) och uppåt-pilarna (^) för att justera påslagningsminuten och tryck på ENTER för att bekräfta.
10. Tryck på nedåt- (v) och uppåt-pilarna (^) för att justera temperaturinställningen och tryck på ENTER för att bekräfta.
11. Tryck på nedåt- (v) och uppåt-pilarna (^) för att justera avstängningstimmen och tryck på ENTER för att bekräfta.
12. Tryck på nedåt- (v) och uppåt-pilarna (^) för att justera avstängningsminuten och tryck på ENTER för att bekräfta.

Tryck på ENTER för att ändra program P2 och följ steg 5–12. Alternativt tryck på uppåt-pilen (^) för att gå vidare till program P3. Tryck på ENTER för att ändra program P3 och följ steg 5–12. Alternativt tryck på uppåt-pilen (^) för att gå vidare till program P4. Tryck på ENTER för att ändra program P4 och följ steg 5–12.

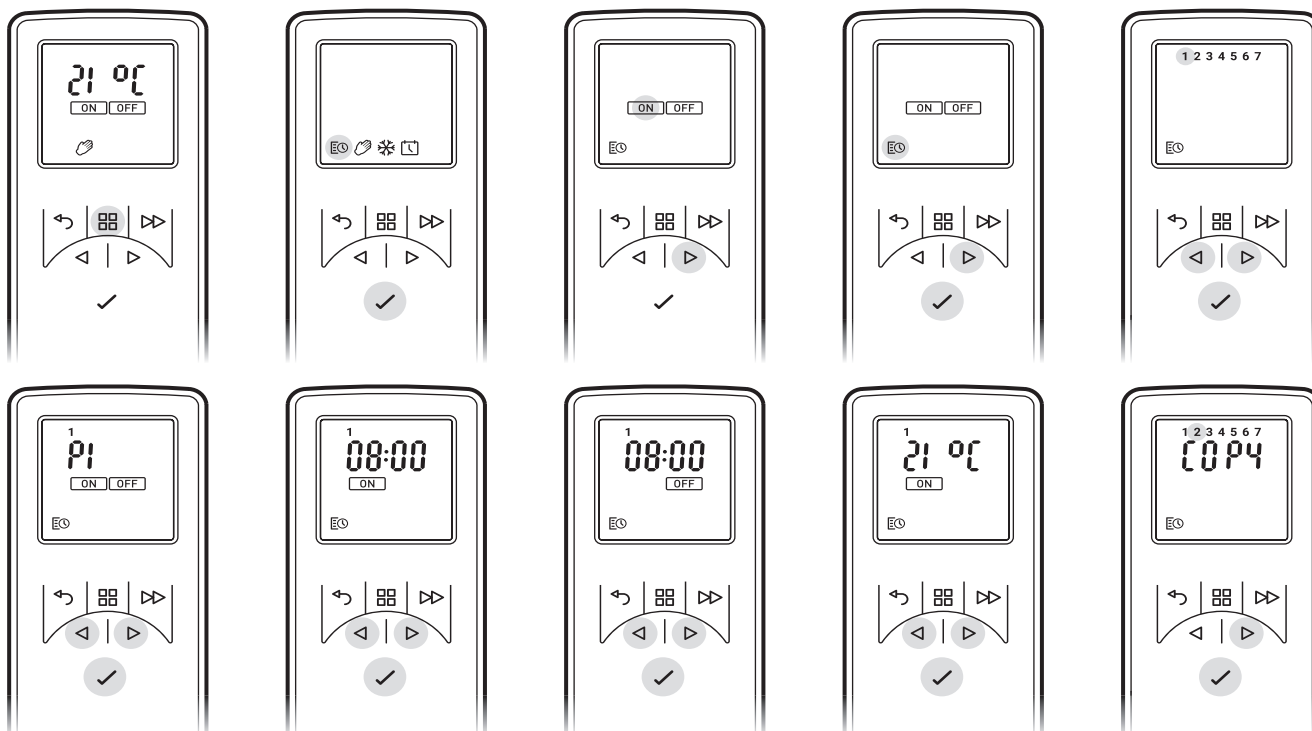
Tryck på ENTER om du vill kopiera de nyprogrammerade värmeprogrammen P1–P4 till andra dagar.

Det står "Copy" på displayen.

Tryck på uppåt-pilen (^) för att kopiera till nästa dag i sekvensen. Om du vill avmarkera nästa dag i sekvensen, tryck på ENTER.

De markerade/valda veckodagarna visas högst upp på displayen. De dagar som har avmerakts visas inte (se diagrammen).

Tryck på ENTER för att bekräfta. Bakgrundsbelysningen blinkar och du kommer tillbaka till startdisplayen.

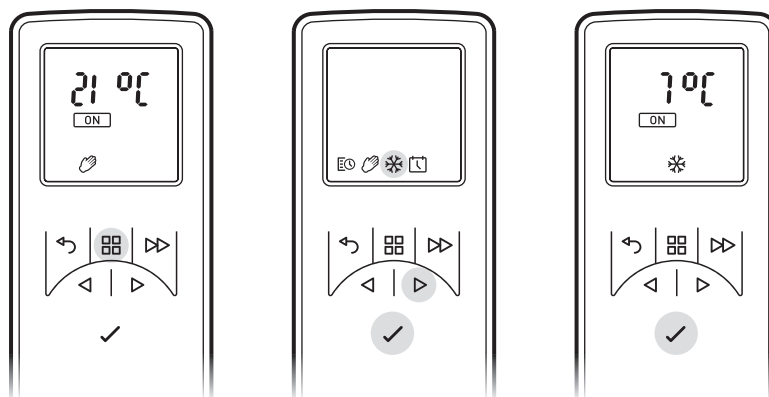


Manuellt läge – Så här väljer du ett konstant värmeläge. Det här läget ignorerar användartimern och bibehåller den temperatur som visas på displayen.

- Tryck på MENU (Meny).
- Tryck på uppåtpilen (^) för att markera handikonen.
- Tryck på ENTER för att bekräfta.
- Använd nedåt- (v) och uppåtpilen (^) för att justera önskad temperatur.

Frostskydd – Det här läget upprätthåller en rumstemperatur på 7 °C under en 24-timmarsperiod. Det här läget bör användas för att skydda mot frost (vilket indikeras av frostikonen).

- Tryck på MENU (Meny).
- Tryck på uppåtpilen (^) tre gånger för att markera snöflingeikonen.
- Tryck på ENTER för att bekräfta.
- Tryck på nedåt- (v) eller uppåtpilen (^) för att avsluta det här läget för att gå över i manuellt läge.



### Ställa in önskad flameffekt

1. Tryck på MENU på fjärrkontrollen. FIRE (Eldstad) börjar blinka på displayen. Tryck på ENTER. Den nuvarande inställningen visas. Tryck på uppåt- (^) eller nedåtpilen (v) för att ställa in en nivå mellan F1 och F6. F1 är den lägsta inställningen och F6 den högsta.
2. Generellt sett ser flammorna mer realistiska ut när effekten är lågt inställd.
3. Det tar en liten stund för flamgeneratoren att svara på de ändringar som du gör.
4. Eldstaden använder mindre vatten om flameffekten är inställd på en låg nivå.
5. Undvik att luta eller flytta eldstaden medan det finns vatten i tanken eller sumpen.
6. Se till att eldstaden placeras på ett plant golv.

### Anpassa displayen

Den maximala temperaturinställningen är 32 °C. Du kan sänka denna inställning. Du kan också växla mellan °C och °F.

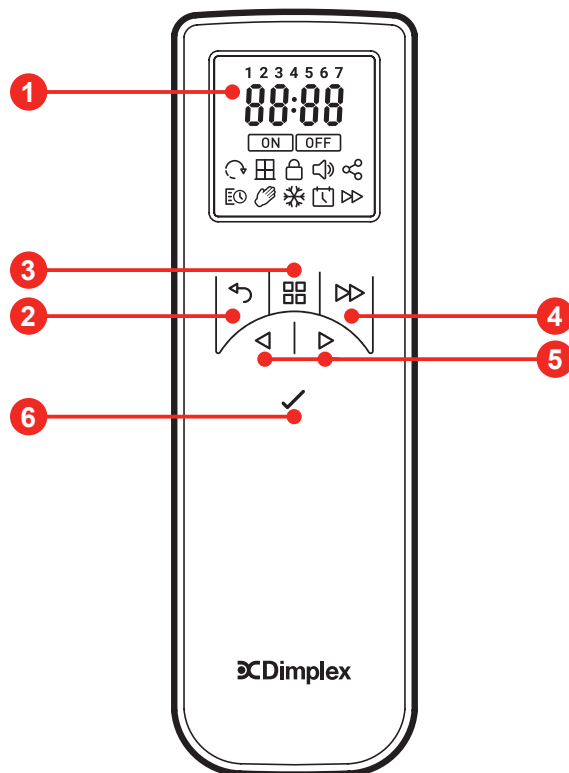
1. Tryck på MENU (Meny).
2. Tryck ADV (Framåt) två gånger. SP börjar blinka.
3. Tryck på ENTER för att bekräfta.
4. Tryck på nedåt- (v) eller uppåtpilen (^) för att välja mellan °C och °F.
5. Tryck på ENTER för att bekräfta.
6. Tryck på nedåt- (v) eller uppåtpilen (^) för att välja maximal temperaturinställning.
7. Tryck på ENTER för att bekräfta.
8. Tryck på BACK (Tillbaka) tre gånger för att återvända till startdisplayen.

### Adaptiv start

Den inbyggda elektroniken i den här apparaten har en inlärningsfunktion med hänsyn till hur lång tid det tar att värma upp ett rum. När apparaten har lärt sig hur snabbt det går att värma upp rummet kan apparaten slå på värmen i exakt rätt tid för att se till att rummet håller en behaglig temperatur när du vill det. Om du till exempel stiger upp kl. 7 behöver du normalt gissa när du behöver slå på värmen för att rummet ska hålla en behaglig värme när du vaknar. Beroende på hur kallt det är ute kan det här innebära att rummet fortfarande är kallt när du stiger upp eller att det redan har varit varmt i en halvtimme helt i onödan. Adaptiv start innebär att om du ställer in 21 °C till kl. 7 så slår värmaren på exakt när det behövs för att nå denna måltemperatur. När vädret är varmare går systemet kortare tid, medan du stiger upp till ett varmt och behagligt rum när det är kallt på vintern.

Den adaptiva startfunktionen aktiveras automatiskt när du använder timerläge.

- 1 Displayen
- 2 Knappen BACK (Bakåt)
- 3 Knappen MENU (Meny)
- 4 Knappen ADV (Framåt)
- 5 Uppåt- och nedåtpilar
- 6 Knappen ENTER



## Underhåll

### ALLMÄNNA TIPS

Använd endast filtrerat kranvatten i apparaten.

Se alltid till att apparaten är placerad på en plan yta.

Om du inte tänker använda apparaten på mer än 2 veckor ska du tappa av vattnet från sumpen och vattentanken. När apparaten har insallerats ska den aldrig flyttas eller läggas på rygg, utan att först ha tappat av vattnet från sumpen och vattentanken.

Apparaten bör aldrig användas om lamporna inte fungerar.

Lamporna ska inspekteras regelbundet enligt beskrivningen i avsnittet "Byta lampor".

### FYLLA VATTENTANKEN

När vattentanken är tom stängs flam- och rökeffekterna av och det hörs 2 pipsignaler. Följ anvisningarna nedan.

1. Tryck omkopplare A till läge **(0)** (se fig. 10).
2. Lyft försiktigt ut glödbädden och ställ undan den försiktigt.
3. Avlägsna vattentanken genom att lyfta den uppåt och utåt.
4. Placera vattentanken i vasken och ta av locket genom att vrida det moturs (se fig. 7).
5. Fyll tanken med **enbart filtrerat kranvatten**. Detta är nödvändigt för att flam- och rökfunktionsenheten inte ska sluta fungera i förtid.  
Vattnet bör filtreras genom ett konventionellt vattenfilter för hushållsbruk. Var noga med att byta filtret regelbundet.
6. Skruva tillbaka locket, men dra inte åt för hårt.
7. Sätt tillbaka tanken på sumpen så att tanklocket är vänt nedåt och den platta sidan av tanken är vänd utåt (se fig. 8).
8. Sätt försiktigt tillbaka glödbädden på plats (se fig. 9).
9. Tryck omkopplare A till läge **PÅ (I)** (se fig. 10).

### BYTA LAMPOR

Om flam- och rökeffekten är grå eller färglös kan det bero på att det är fel på en eller flera av lamporna.

Följ anvisningarna nedan för att kontrollera om det är fel på lamporna.

1. Låt flameffekten vara påslagen och lyft ut glödbädden och vattentanken.
2. Det bör vara möjligt att titta på lamporna med munstycket på plats för att kontrollera vilken av dem som behöver bytas.
3. Ställ om omkopplare A i läge AV och dra ut kontakten till eldstaden ur vägguttaget.
4. Låt apparaten stå i 20 minuter så att lamporna hinner svalna innan du avlägsnar dem.
5. Avlägsna sumpen enligt anvisningarna i avsnittet "Rengöring".
6. Ta bort den trasiga lampan genom att försiktigt lyfta den rakt upp och frigöra stiften från lamphållaren (se fig. 4 och 4a).  
Byt ut den trasiga lampan mot en färgad 45 W OPTIMYST-lampa (12 V) med Gu5.3-sockel och 8° strålvinkel (du köper dem från leverantören).

7. Sätt försiktigt i de två stiften på den nya lampan i de två hålen i lamphållaren. Tryck lampan på plats med fast hand (se fig. 4 och 4a).
8. Byt ut sump, munstycke, vattentank och glödbädd.

## RENGÖRING

**Varning!** – Tryck alltid omkopplare A till läge AV **(0)** (se fig. 10) och koppla bort apparaten från vägguttaget innan du rengör eldstaden.

Du bör rengöra följande komponenter varannan vecka, i synnerhet i regioner med hårt vatten:

Vattentank, sump, munstycke, tankens lock och tätning, luftfilter.

För allmän rengöring ska en mjuk ren dammtrasa användas. Använd aldrig rengöringsmedel med slipverkan.

Ta bort damm eller ludd som samlats på eldstadens utloppsgaller med hjälp av en dammsugare utrustad med ett munstycke med mjuk borste.

### Vattentank

1. Avlägsna vattentanken (se beskrivningen ovan) och placera den i vaskan och tappa av vattnet.
2. Använd den medföljande borsten och skrubba försiktigt locket invändigt. Var extra uppmärksam på gummiringen i den yttre skåran och gummitätningen i mitten.
3. Håll lite diskmedel i tanken, sätt tillbaka locket och skaka ordentligt. Skölj sedan tanken ordentligt så att alla diskmedelsrester avlägsnas.
4. Fyll på tanken med enbart filtrerat kranvatten och sätt tillbaka locket. Var försiktig så att du inte skruvar åt locket för hårt.

### Sump

1. Tryck omkopplare A till AV- **(0)** läge.
2. Lyft försiktigt ut glödbädden och ställ försiktigt undan den på golvet.
3. Avlägsna vattentanken genom att lyfta den uppåt.
4. Koppla bort elkontakten som sitter på höger sida av sumpen (se fig. 5).
5. Frigör sumpen genom att vrida låsflikarna 90° så att sumpen kan lyftas bort helt (se fig. 11).
6. Lyft försiktigt upp sumpen. Håll den plant och upprätt så att inget vatten spillar ut. Placera enheten i vaskan.
7. Frigör sumpens vänstra låsflik genom att vrida det 90° och lyfta av munstycket (se fig. 3).
8. Lyft ut omvandlaren och luta den försiktigt, så som visas, så att vätskan töms ur sumpen (se fig. 13).
9. Håll lite diskmedel i sumpen och rengör försiktigt alla ytor i sumpen och rengör försiktigt omvandlaren, inklusive metallskivorna i den övre skårade ytan, med hjälp av den medföljande borsten (se fig. 14).
10. Skölj sumpen omsorgsfullt med rent vatten när den är rengjord för att få bort alla diskmedelsrester.
11. Rengör munstycket med borsten och skölj ut ordentligt med vatten (se fig. 15).
12. Montera sumpen genom att följa anvisningarna ovan i omvänd ordning.

### Luftfilter

1. Lyft försiktigt ut glödbädden och ställ försiktigt undan den på golvet.
2. Skjut försiktigt luftfiltret uppåt, ut ur plasthållaren (se fig. 16).
3. Skölj försiktigt med vatten i vaskan och torka med tyghandduk innan du sätter tillbaka filtret.
4. Sätt tillbaka filtret. Se till att det grova svarta filtret är vänt mot framsidan av eldstaden.
5. Sätt tillbaka glödbädden.

## Ytterligare information

### SERVICE EFTER KÖP

Produkten levereras med två års garanti från inköpsdatum. Under denna period utför vi reparation eller utbyte av produkten utan kostnad (i mån av tillgång, men inte lamporna), förutsatt att den har installerats och använts i enlighet med dessa anvisningar. Dina rättigheter under garantin går utöver dina lagstadgade rättigheter, vilka i sin tur inte påverkas av denna garanti.

### ÅTERVINNING



För elektriska produkter som säljs inom EU. Vid slutet av produktens livslängd ska den inte kasseras som vanligt hushållsavfall. Kassera den på en för ändamålet avsedd miljö- eller återvinningsstation. Kontakta kommunen eller återförsäljaren för information om nationella föreskrifter för återvinning.

## PATENT/PATENTANSÖKNINGAR

Produkterna i Opti-Myst-serien omfattas av ett eller flera av följande patent och patentansökningar:

Storbritannien: GB 2402206, GB 2460259, GB 2460453, GB 2418014, GB 2465738, GB 2449925, GB 2465537, GB 2455277, GB1020534.2, GB1020537.5, GB1110987.3

USA: US 7967690, US 2010299980, US 2011062250, US 2008028648, US 13/167,042

Ryssland: RU2008140317

Europa: EP 2029941, EP 2201301, EP 2315976, EP 1787063, EP07723217.1, EP11170434.2, EP 11170435.9

Kina: CN 101883953, CN 200980128666.2, CN 101057105, CN 101438104

Australien: AU 2009248743, AU 2007224634

Kanada: CA 2725214, CA 2579444, CA 2645939

Internationell patentansökan: WO 2006027272

Sydafrika: ZA 200808702

Mexiko: MX 2008011712

Sydkorea: KR 20080113235

Japan: JP 2009529649

Brasilien: BR P10708894-9

Indien: IN 4122/KOLNP/2008

Nya Zeeland: NZ 571900

Felsökning		
Symptom	Orsak	Åtgärd
Flameffekten tänds inte.	Nätsladden är inte ansluten.  Låg vattennivå.  Lågspänningskontakten är inte ordentligt ansluten (se fig. 5).  Omvandlarenheten sitter inte ordentligt i sumpen.	Kontrollera att kontakten är ordentligt ansluten till vägguttaget.  Kontrollera att vattentanken är full och att det står vatten i sumpen.  Kontrollera att kontakten är ordentligt ansluten (se fig. 5).  Se till att omvandlaren sitter i den gjutna infällningen i sumpen.
Flameffekten är för svag.	Flameffekten är för lågt inställd (se fig. 10).  Metallskivan i omvandlaren kan vara smutsig (se fig. 14).  Ledningen från omvandlarenheten sitter över metallskivan.	Öka nivån på flameffekten med hjälp av fjärrkontrollen (se avsnittet "Använda produkten").  Rengör metallskivan med den mjuka borsten (som medföljer) (se fig. 14). Se avsnittet "Underhåll" för stegvisa anvisningar.  Dra ledningen till baksidan av sumpen och se till att den sitter i sidoutgångshålet på sumpen.
Obehaglig lukt när enheten används.	Smutsigt eller härsket vatten.  Ofiltrerat kranvatten används.	Rengör enheten enligt beskrivningen i underhållsavsnittet.  Använd enbart filtrerat kranvatten.
Flameffekten avger för mycket rök.	Flameffekten är för högt inställd.	Vrid ner flameffekten med hjälp av tumvred D (åt höger) ungefär ¼ varv i taget. Ge flamgeneratorm lite tid att anpassa sig innan du justerar till den nya inställningen (se fig. 10).
Huvudlamporna fungerar inte och det förekommer varken flammor eller rök.	Det finns inget vatten i tanken.	Följ anvisningarna i avsnittet " <b>Underhåll</b> ", "Fylla vattentanken".  Kontrollera att kontakten är ordentligt ansluten till vägguttaget och att omkopplare A i fig. 10 står i läge PÅ (I).

## Giriş

Ürününüzü güvenle monte edebilmeyiz, kullanabilmeniz ve bakımını yapabilmeyiz için, lütfen bu bilgi kılavuzunu dikkatli bir şekilde okuyun.

## Önemli Güvenlik Önerileri

**DİKKAT: BU TALİMATLARA UYULMAMASI YARALANMA VE/VEYA HASARA YOL AÇABİLİR VE GARANTİNİZİ GEÇERSİZ KILAB**

### Önemli Güvenlik Önerileri

Elektrikli cihaz kullanırken, yangın, elektrik çarpması ve kişisel yaralanma riskini azaltmak için aşağıdakileri içeren temel uyarılara dikkat edilmelidir:

- Cihaz hasar görmüşse, montaj ve kullanımdan önce tedarikçiye kontrol ettirin.
- Açık havada kullanmayın.
- Banyo, duş veya yüzme havuzunun çok yakınında kullanmayın.
- Cihazı sabit priz çıkışı veya bağlantı kutusunun hemen altına yerleştirmeyin.

**Uyarı:** Bu ısıtıcı, tanınmış bir perakende satıcıdan satın alındığı ülkede, normal olarak evde kullanılan ev eşyaları dışındaki herhangi bir amaç için kullanılmamalıdır.

8 yaş ve üstü çocuklar ile fiziksel, duyuşsal veya zihinsel engelli kişiler ya da yeterli deneyime ve bilgiye sahip olmayan kişiler, eğer cihazı güvenli şekilde kullanma konusunda gözetim veya talimat almışsa ve ilgili tehlikeleri anlamışlarsa, bu cihazı kullanabilir. Çocuklar cihazla oynamamalıdır. Temizlik ve kullanıcı bakımı işlemleri gözetim altında olmayan Çocuklar tarafından yapılmamalıdır.

3 yaşından küçük çocuklar sürekli gözetim altında değilse, cihazdan uzak tutulmalıdır. Yaşları 3 ila 8 arasında olan çocuklar, cihaz amaçlanmış normal çalışma konumuna yerleştirilmiş veya kurulmuşsa, bunun yanında cihazı güvenli şekilde kullanma konusunda gözetim veya talimat almışsa ve ilgili tehlikeleri anlamışlarsa, cihazı sadece açabilir/kapatılabilir. Yaşları 3 ila 8 arasında olan çocuklar, cihazı fişe takmamalı, yönetmemeli ve temizlememeli ya da kullanıcı bakımını yapmamalıdır.

**Uyarı:** Bu cihaz topraklanmalıdır.

Bu ürünü şebekeye bağlarken uzatma kablosu veya çoklu fiş adaptörü kullanılması önerilmemektedir. Bu cihazlarla bağlanması, yetersiz bağlantı kalitesi nedeniyle uzatma kablosunda veya adaptör üzerinde aşırı yüklenme, aşırı ısınma ve hatta yangın riski doğurabilir. Bu ısıtıcı yalnızca alternatif akım beslemesi ile (~) kullanılmalıdır ve ısıtıcıda belirtilen gerilim besleme değerine karşılık gelmelidir.

Cihazın yanlışıyla üzerinin kapatılması veya yerinden hareket ettirilmesi durumunda yangın riski bulunmasından dolayı, bu cihazı bir termal kontrol, program kontrolörü, zamanlayıcı veya ısıtmayı otomatik olarak açan başka bir cihazla birlikte kullanmayın.

Isıtıcıyı, kalın halıların üzerinde veya uzun saçaklı halılarda ya da yukarıdan sarkan herhangi bir yüzeyden 750 mm'den (30") daha yakın bir yerde kullanmayın. Isıtıcının önünden, yanından ve arkasından perdeler ve diğer mobilyalar gibi yanabilir malzemeleri uzak tutun. Isıtıcıyı, çamaşırlarınızı kurutmak için kullanmayın.

Arıza olması durumunda, cihazın fişini çekin. Uzun süre kullanılması gerekmiyorsa cihazın fişini çekin.

Cihaz, fişe erişilebilecek şekilde yerleştirilmelidir. Elektrik kablosu hasar görürse, tehlikeli bir durumdan kaçınmak için üretici veya servis temsilcisi ya da benzer nitelikteki bir kişi tarafından değiştirilmelidir. Elektrik kablosunu cihazın ön kısmından uzak tutun.

**Dikkat:** Bu ürünün bazı kısımları çok sıcak olabilir ve yanıklara neden olabilir. Çocukların ve savunmasız insanların bulunduğu yerlerde özel dikkat gösterilmelidir.

**Uyarı:** Aşırı ısınmayı önlemek için, cihazın üzerini örtmeyin. Aşırı ısınmaya veya yangın riskine yol açabileceğinden dolayı, cihazın üstüne giysi veya herhangi bir malzeme koymayın ve perde veya mobilyalar ile cihazın çevresindeki hava dolaşımını engellemeyin.  
Cihaz, DO NOT COVER (ÜZERİNİ ÖRTMEYİN) uyarısı bulunur.

**Uyarı:** Termal kesicinin yanlışlıkla sıfırlanmasından kaynaklanabilecek hasarları önlemek için, bu cihazın zamanlayıcı gibi harici tetikleme aygıtlarıyla kullanılmaması ya da düzenli olarak açılıp kapanan devrelere bağlanmaması gereklidir.

## Genel Bilgiler

Bu cihazda sadece filtrelenmiş musluk suyu kullanın.

Cihazın her zaman düz bir zeminde oturduğundan emin olun.

Her ne kadar bu cihaz güvenlik standartlarına uygun olsa da, uzun tüylü halılar veya kilimler üzerinde kullanılmamasını tavsiye ederiz.

Lütfen unutmayın: Arka plan gürültüsünün çok düşük olduğu bir ortamda kullanıldığı zaman, alev efektinin çalışmasıyla ilgili bir ses duyulabilir. Bu normaldir ve endişelenilmemelidir.

İlk olarak hatalı ürünü iade etmeyin, aksi takdirde kayıp veya hasara ve memnuniyet verici bir hizmet sunmamızın gecikmesine neden olabilir. Bu normal bir güvenlik prosedürüdür ve ürün, 30 saniye sonra çalışmayı sürdürecektir. Kurulduktan sonra, suyu haznedenden ve su deposundan boşaltmadan cihazı asla kaldırmayın veya geri yatırmayın. Cihazı 2 haftadan uzun süre kullanmayacaksınız, haznedeki ve depodaki suyu boşaltın ve hazneyi kurutun.

Su deposu, hazne, hazne kapağı, depo kapağı ve hava filtreleri iki haftada bir temizlenmelidir.

Cihaz, lambalar çalışmıyorsa asla çalıştırılmamalıdır.

Lambalar şu bölümlerde anlatıldığı gibi düzenli olarak kontrol edilmelidir: 'Bakım' ve 'Lambaları değiştirme'.

## Teknik Bilgiler

Model No: ENG56-400 E, ENG68-400 E, ENG56-600 E

Isı Verimi		230 V	240 V	
Nominal Isı Verimi	$P_{Nom}$	1,8	2,0	kW
Minimum Isı Verimi	$P_{min}$	0,9	1,0	kW
Maksimum Sürekli Isı Verimi	$P_{maks}$	1,8	2,0	kW
Yardımcı Elektrik Tüketimi				
Bekleme Modunda	$P_{Nom}$	0,45	0,48	W

elektronik oda sıcaklığı kontrolü ve haftalık zamanlayıcı.

## Kurulum Talimatları

Bu bölümde şöminenizi nasıl kuracağınızı anlatılmaktadır.

### BAŞLAMADAN ÖNCE

1. Ambalajdaki her şeyin çıkarıldığından (tüm uyarı etiketlerini dikkatle okuyun) emin olun ve cihazı tedarikçinize götürme veya geri gönderme ihtimaline karşı, tüm ambalajı gelecekteki olası kullanımlar için saklayın.
2. Şömineyi bağlamadan önce, besleme geriliminin şömine üzerinde belirtilen gerilimle aynı olup olmadığını kontrol edin.

### Şömine Rafına Kur

1. Bu cihazı şömine rafına kurarken lütfen cihazınız (Şek 18) için doğru rafı seçin. **Şömine rafının önünde en az 88 cm<sup>2</sup> büyüklüğünde hava çıkışı olmalıdır. Özellikle cihaza hava girişinin olması önemlidir, aksi takdirde Opti-myst alev efekti doğru çalışmaz. Hava yolunun önünde engel olmamalıdır**

2. Cihazın önünde 4 boşluk dirseğini çıkarın (Şek 19)
3. Cihazı tamamen arkadan rafa kaydırın ve rafın ortasında durduğundan emin olun. Doğru vidaları kullanarak (birlikte verilmez) cihazına yerine oturtun ve sağlamlaştırın (Şek. 20)
4. Şömineyi priz in en fazla 1 metre uzağında olacak şekilde konumlandırın (Şek 21)

#### Duvar veya boşluğa kurulum

1. Şek. 1’de verilen ürün boyutlarına dikkat edin ve cihazın duvar prizine (Şek 22) en fazla 1 metre uzaklıkta olacak şekilde konumlanması için bir yapı oluşturun. Uygun vidaları (cihazla birlikte verilmez) kullanarak vidayı yerine sabitleyin
2. Cihazın havalandırma deliklerine dikkat edin. Ön tabanda ve cihazın altında bulunmaktadır
3. Boşluk dirseklerini kılavuz olarak kullanarak duvarı cihaz için hazırlayın
4. **Yapının ön kısmında en az 88 cm<sup>2</sup> hava deliği bulunmalıdır. Havayı cihaza girebilmesi önemlidir, aksi takdirde Opti-myst alev efekti düzgün çalışmaz. Bu hava yolunun önünü kapatacak bir şey olmamalı Duvar veya boşluktaki hava delikleri örnekleri için bkz. Şek. 23**

#### Dönüştürücü Birimi ve Lambaları Bağlama

1. İki kırmızı tırnağı 90 derece döndürerek serbest bırakın (Şekil 2)
2. Hazne Yuvasını kaldırın (Şekil 3)
3. Lambaları lamba tutucularına yerleştirin (Şekil 4), pimleri dikkatle deliklerin içine yerleştirin (Şekil 4a)
4. Lambaları yerlerine itin
5. Dönüştürücü Üniteyi hazneye yerleştirin ve kabloyu haznenin üzerindeki konektöre takın (Şekil 5)
6. Dönüştürücü Ünitenin hazneye doğru yerleştirildiğinden emin olmak için Dönüştürücü Ünite üzerindeki tırnak haznedeki oyuk ile hizalanmalıdır (Şek. 5a)
7. Kablonun, Dönüştürücü Birim üzerindeki diskin üzerine gelmediğinden emin olun (Şekil 5b). Kablonun başlık ile hazne arasında sıkışmasını önlemek için, kabloyu haznenin duvar yuvasına yerleştirin
8. Hazne Yuvasını değiştirin ve iki kırmızı tırnağı 90 derece çevirerek sabitleyin (Şekil 6)

#### Su Deposunu Doldurm

9. Su Deposunu lavaboya yerleştirin ve kapağı çıkarın (açmak için saat yönünün tersine çevirin) (Şekil 7)
10. Su Deposunu yalnızca **yalnızca filtrelenmiş su ile doldurun**. Bu, alev ve duman üreten ünitenin ömrünü uzatmak için gereklidir. Su, geleneksel bir ev tipi su filtresi ünitesi vasıtasıyla filtrelenmelidir ve filtre düzenli olarak değiştirilmelidir. Artırılmış sı **as** kullanılmamalı
11. Kapağı geri takın ve **aşırı sıkmayın**
12. Su haznesini, hazne kapağı aşağı bakacak ve deponun düz tarafı dışarı bakacak şekilde lavaboya yerleştirin (Şekil 8)

#### Alev kurma

13. Yakıt Deposunu Su Deposu ve Sis Başlığının üzerine yerleştirin (Şekil 9).

## Ürünü Çalıştırma

UYARI: BU ÇALIŞTIRMA TALİMATLARINA UYULMAMASI, YARALANMAYA VE/VEYA HASARA NEDEN OLABİLİR.



#### Manuel Kontroller

Opti-myst Manüel kontroller, cihazın tabanında bulunur.

(Manüel Kontrol yerleşimi için Şekil 2’ye bakın)

‘A’ Anahtarı:- Şömineye giden elektrik beslemesini kontrol eder.

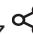
Not: Etkinleştirildiği zaman, ısıtma dahil veya hariç şekilde Şöminenin çalışması için bu anahtar ‘AÇIK’ (I) konumunda olmalıdır.

‘B’ anahtarı:-  alev efektini açmak için bir defa basın. “Bip” sesi ile belirtilir. Ana lambalar derhal çalışmaya başlasa da, alev efektini başlaması için 45 saniye daha geçmesi gerekecektir. Şu seçeneğe basın:  düğmesine basın. Tek bir “bip” sesi ile belirtilir.

#### Uzaktan Kumanda

Uzaktan kumanda bir poşet içinde 2 adet AA pil ile ambalajlanmıştır. Uzaktan kumandanın arkasındaki pil kapağını kaldırın ve kutulara dikkat ederek pilleri takın.

Uzaktan kumanda, fabrikada montaj esnasında ürününüzle zaten eşleştirilmiştir. Düşük bir ihtimal de olsa uzaktan kumandanın ürünle bağlantısının kesilmesi veya yedek bir uzaktan kumanda almanız durumunda, eşleştirme işlemini tamamlamanız gerekecektir:

1. Ürünün kablosu takılıyken, A anahtarına basarak ON (AÇIK) (I) konumuna getirin. Bir bip sesi duyacaksınız
2. Ekranda PAIR (EŞLEŞTİR) ifadesi görülene kadar ‘Düğme 6’ya basın ve basılı tutun
3. Uzaktan kumandayı alıcının bulunduğu yerdeki ürünün yakınına getirin Bkz  Şek. 17
4. Ürün bip sesi çıkarmaya ve yanıp sönmeye başlayacaktır
5. Eşleştirme işlemini tamamlamak için ‘Düğme 6’ya basın. Ürün bekleme moduna girecektir.



### Cihazı açma

Uzaktan kumandayı etkinleştirmek için ENTER düğmesine basın ve 3 saniye basılı tutun. FIRE (Şömine) yazısı görünür ve ON (Açık) yazısı yanıp söner. Cihazı açmak için ENTER düğmesine basın. Cihazı kapatmak için MENU seçeneğine basın, FIRE (Şömine) yanıp söner, ENTER seçeneğine iki kere basın.

### Alev Ayarını Ayarlama

Uzaktan Kumanda etkinken bir defa basın. FIRE (Şömine) seçeneği yanıp söner. Şu seçeneğe basın: ENTER. Mevcut alev ayarı F1-F6 şeklinde görüntülenecektir. Ayarı değiştirmek için UP (Yukarı) ve DOWN (Aşağı) düğmelerine basın. Alev ayarını seçtikten sonra, menüden çıkıp ana ekrana dönmek için BACK (Geri) tuşuna iki kez basın.

### Isıyı Açma

Uzaktan Kumanda etkinken bir defa MENU tuşuna basın. FIRE (Şömine) seçeneği yanıp söner. Bir defa ADV (İleri) düğmesine basın, HEAT (Isı) yanıp söner. ENTER'a basın. Geçerli sıcaklık ayarı OFF LO HI (Kapalı Düşük Yüksek) olarak görüntülenir. Ayarı değiştirmek için UP (Yukarı) ve DOWN (Aşağı) düğmelerine basın. Alev ayarınızı seçtikten sonra, ENTER düğmesine basın.

### Termostatı Ayarlama

Ekranda görüntülenen sıcaklık, oda sıcaklığı ayar noktasıdır. Bu sıcaklık, ısıtıcının ısıtma dönemleri sırasında sabit tutacağı sıcaklıktır. Oda sıcaklığı bu sıcaklığın altındaysa, ısıtıcı çalışmaz. Isıtıcı fabrika çıkışında bu sıcaklık 15° olacak şekilde çıkmış olup, bu tipik bir konforlu oda sıcaklığını temsil etmektedir. Farklı bir oda sıcaklığına ihtiyaç duyarsanız, ekranda istediğiniz sıcaklığa ulaşana kadar ana ekranda yukarı veya aşağı oka basın.

### Termal Emniyet Şalteri

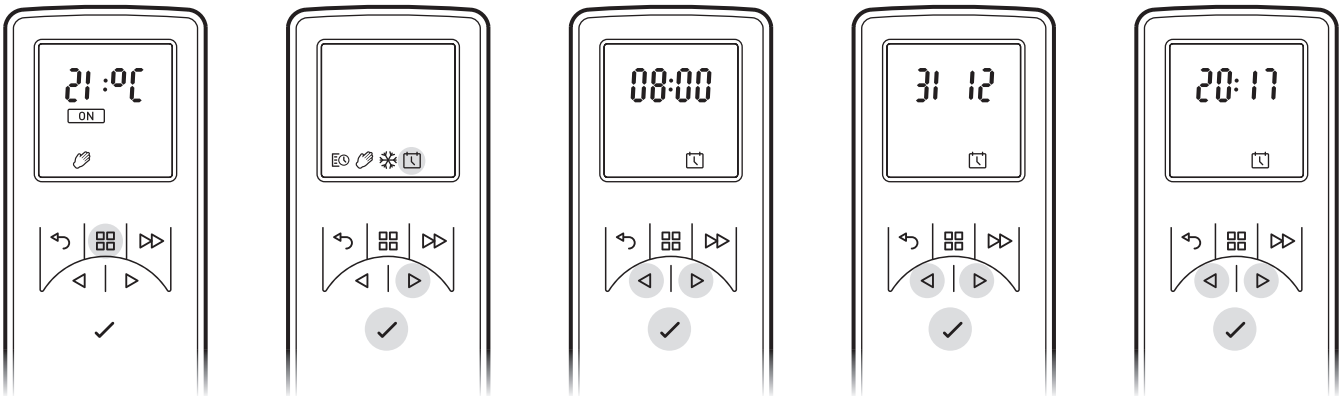
Aşırı ısınmaya bağlı hasarı önlemek için fan ısıtıcısına bir termal emniyet şalteri dahil edilmiştir. Bu ürün yalnızca iyi izolasyona sahip odalarda veya ara sıra kullanım için uygundur. Şalter devreye girerse, ısıtıcının fişini prizden çekin ve yeniden takmadan önce yaklaşık 10 dakika bekleyin. Isıtıcıyı tekrar açmadan önce, ısı çıkışını kısıtlayabilecek engelleri kaldırın, ardından normal çalıştırma işlemine devam edin.

**DİKKAT:** Termal kesicinin yanlışlıkla sıfırlanmasından kaynaklanabilecek hasarları önlemek için, bu cihazın zamanlayıcı gibi harici tetikleme aygıtlarıyla kullanılmaması ya da düzenli olarak açılıp kapanan devrelere bağlanmaması gereklidir.

### Tarih ve Saati Ayarlama

Isıtıcıdaki tarih ve saati ayarlamak için;

1. Menu düğmesine basın
2. ^ düğmesine 4 kez basın
3. Date & Time (Tarih ve Saat) simgesi yanıp sönerken Enter seçeneğine basın
4. Saati ayarlamak için Enter düğmesine basın
5. Saati ayarlamak için v ve ^ seçeneklerine ve Enter'a basın
6. Dakikayı ayarlamak için v ve ^ seçeneklerine basın ve saati onaylamak için Enter'a basın
7. Günü ayarlamak için v ve ^ seçeneklerine ve Enter'a basın
8. Ayı ayarlamak için v ve ^ seçeneklerine ve Enter'a basın
9. Yılı ayarlamak için v ve ^ seçeneklerine ve tarihi onaylamak için Enter'a basın



### Uzaktan Kumanda Modları

User Timer (Kullanıcı Zamanlayıcısı): Kullanıcı için harika esneklik sağlar. Gün boyunca dört zaman dilimi mevcuttur ve bunlar haftanın her günü için özelleştirilebilir. Varsayılan zaman aralıkları ve sıcaklıklardan bunları ayarlamak ile ilgili talimatlar için "Zamanlayıcı modlarının ayarlanması" bölümüne bakın.

Manuel Modu: Bu mod, odayı uzaktan kumandada ayarladığınız sıcaklığa getirir.

Donma Koruması: Bu mod, oda sıcaklığını 7°C'de tutar. Bu mod, donma simgesi aracılığıyla belirtildiği gibi donmaya karşı koruma

sağlamak için kullanılmalıdır.

### Mod Seçme ve Ayarlama

Kullanıcı Zamanlayıcısı - Varsayılan Zamanlayıcı Modlarını yeniden programlamak için:

1. Menü düğmesine basın
2. Zamanla simgesi yanıp sönerken ^ düğmesine bir kez basın. Enter'a basın
3. İki defa ^ seçeneğine, ardından Enter'a basın  
\*Günler ekranın üst kısmında görüntülenir\*  
Gün 1 = Pazartesi  
Gün 2 = Salı  
Gün 3 = Çarşamba  
Gün 4 = Perşembe  
Gün 5 = Cuma  
Gün 6 = Cumartesi  
Gün 7 = Pazar
4. Gün 1'i Değiştirmek için Enter tuşuna basın veya istediğiniz güne gitmek için ^ tuşuna ve Select (Seç) tuşuna basın
5. Ekranda P1 görüntülenecektir
6. P1'i seçmek için Enter'a basın, P2, P3 veya P4'e gitmek için ^ seçeneğine basın ve seçin
7. ON (Açık) vurgulanır, Time (Saat) ayarı yapmak için Enter'a basın
8. Hour (Saat) ayarını değiştirmek için v veya ^ tuşuna basın, onaylamak için Enter tuşuna basın
9. Minute (Dakika) ayarını değiştirmek için v veya ^ seçeneğine basın ve onaylamak için Enter'a basın
10. Temerature (Sıcaklık) ayarını değiştirmek için v veya ^ seçeneğine basın ve onaylamak için Enter'a basın
11. Hour (Saat) ayarını değiştirmek için v veya ^ seçeneğine basın ve onaylamak için Enter'a basın
12. Off Minute (Kapanma Dakikası) ayarını değiştirmek için v veya ^ seçeneğine basın ve onaylamak için Enter'a basın

P2 Programını değiştirmek için Enter düğmesine basın, 5-12. adımları izleyin, P3'e atlamak için ^ düğmesine basın

P3 Programını değiştirmek için Enter düğmesine basın, 5-12. adımları izleyin, P4'e atlamak için ^ düğmesine basın

P4 Programını değiştirmek için Enter düğmesine basın, 5-12. adımları izleyin

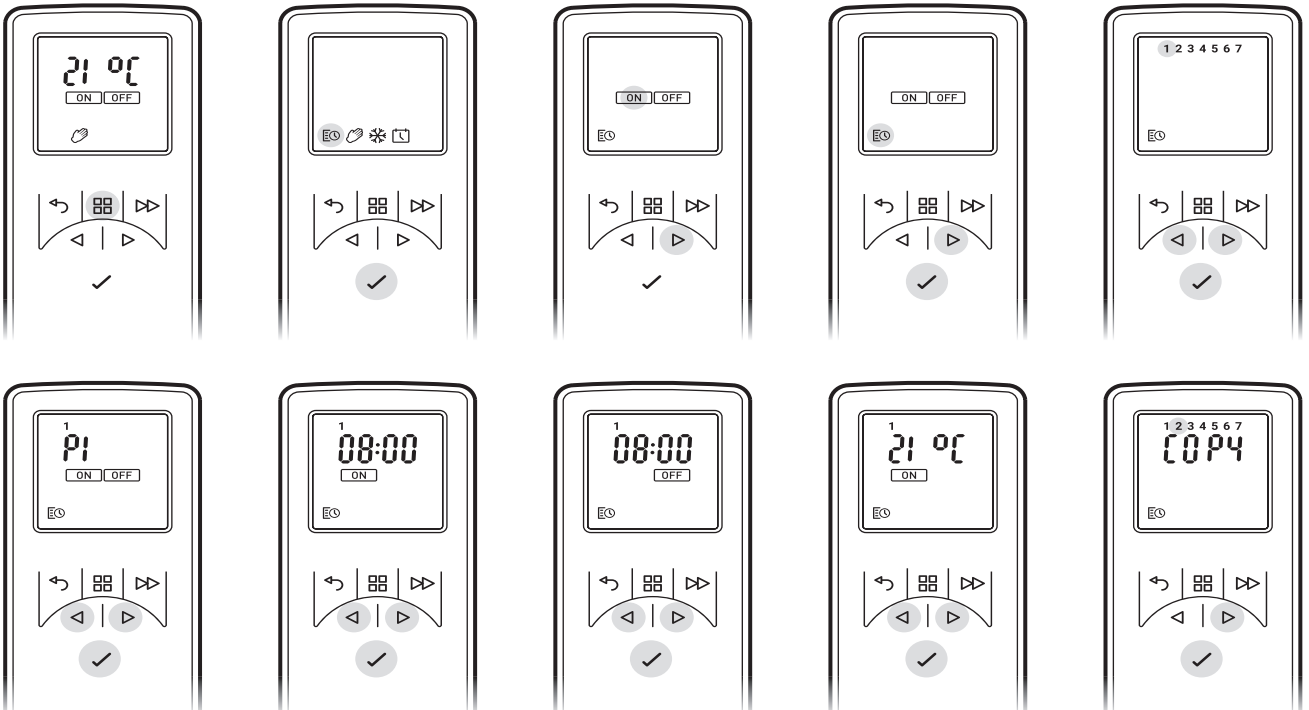
Yeni programlanmış P1-P4 ısıtma programlarını diğer günlere kopyalamak için, Enter düğmesine basın.

Copy (Kopyala) yazısı ekranda görünür

Sıradaki güne kopyalamak için ^ düğmesine basın. Sıradaki diğer günün seçimini kaldırmak için Enter düğmesine basın.

Seçilen günler ekranın üst kısmında görüntülenir. Seçimi kaldırılan günler görünmez (bkz Şekiller).

Onaylamak için Enter düğmesine basın, arka ışık yanıp sönecek ve ana ekrana geri dönecektir.

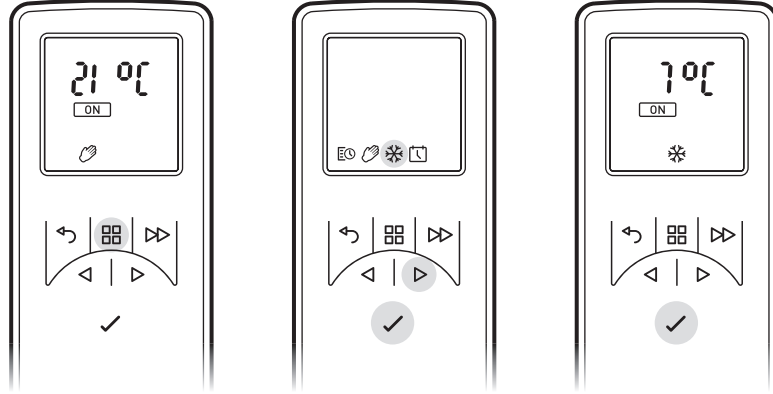


Manuel Modu - Sürekli ısı modunu seçmek için. Bu mod, Kullanıcı Zamanlayıcısını yok sayar ve görüntülenen sıcaklığı korur.

- Menu Düğmesine basın
- El simgesini vurgulamak için ^ seçeneğine iki defa basın
- Onaylamak için Enter'a basın
- İstenen sıcaklığı ayarlamak için v ve ^ seçeneklerini kullanın

Donma koruması - Donma koruması modu, oda sıcaklığını 7°C'yi 24 saat boyunca tutar. Bu mod, Donma simgesi aracılığıyla belirtildiği gibi donmaya karşı koruma sağlamak için kullanılmalıdır.

- Menu düğmesine basın
- Kar tanesi simgesini vurgulamak için üç defa ^ seçeneğine basın
- Onaylamak için Enter'a basın
- Bu moddan çıkmak ve manuel moduna girmek için v veya ^ seçeneğine basın.



### İstenen Alev Efkettini Elde Etme

1. Uzaktan kumandayı kullanarak MENU düğmesine basın, ekrandaki ŞÖMİNE ifadesi yanıp sönecektir, ENTER düğmesine basın. Geçerli ayar görüntülenir. F1 ve F6 arasında geçiş yapmak için ^ ve v seçeneklerine basın. F1 en düşük ayar, F6 ise en yüksek ayardır.
2. Alev kontrolü kısıldığında genellikle alevler daha gerçekçi görünür.
3. Alev üreticisine, yapabileceğiniz değişikliklere tepki vermesi için süre tanıyın.
4. Alev efekti daha düşük bir seviyeye ayarlanırsa, şömine daha az su kullanacaktır.
5. Depoda veya haznede su varken şömineyi eğmeyin veya hareket ettirmeyin.
6. Şöminenin yer seviyesinde olduğundan emin olun.

### Ekranı özelleştirme

Ürünün maksimum sıcaklık ayar noktası 32°C'dir. Bu ayar noktasını düşürme seçeneğine sahipsiniz. Aynı zamanda °C'yi °F olarak değiştirebilirsiniz

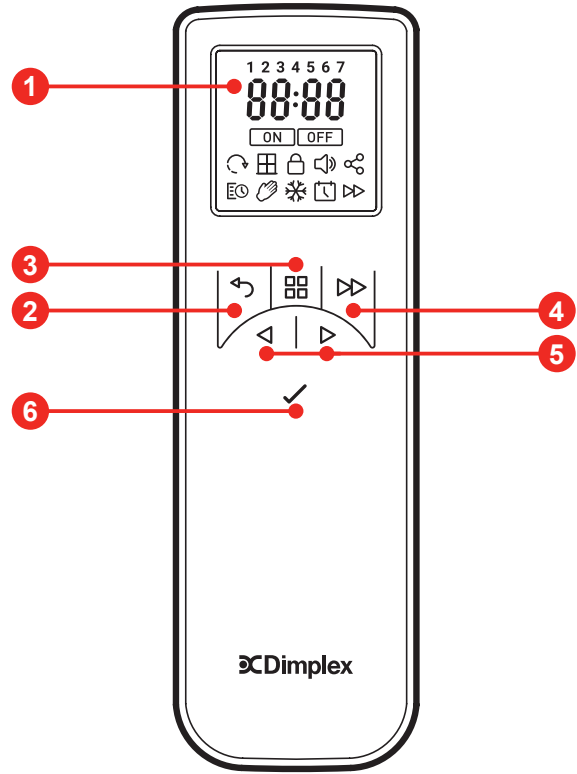
1. Menu düğmesine basın.
2. ADV düğmesine iki kez basın - SP yanıp sönecektir.
3. Onaylamak için Enter'a basın.
4. v veya ^ seçeneğine basarak °C ile °F arasında geçiş yapın.
5. Onaylamak için Enter'a basın.
6. Maksimum sıcaklık ayar noktasını seçmek için v veya ^ seçeneklerine basın.
7. Onaylamak için Enter'a basın.
8. Ana ekrana dönmek için GERİ düğmesine üç kez basın.

### Uyarlamalı Başlatma

Bu cihazın dahili elektronik aksamı, bir odayı ısıtmanın ne kadar sürdüğüne dair bir öğrenme fonksiyonuna sahiptir. Cihaz odanızı ne kadar hızlı ısıtabileceğini öğrendikten sonra, odayı istediğiniz zaman konforlu bir sıcaklığa ulaştırmak doğru zamanda devreye girebilmektedir. Örneğin, saat 07:00'da uyanıyorsanız, normalde odanın ön ısıtma işleminin zamanında tamamlanması için ısıtmayı ne zaman açacağınızı tahmin etmeniz gerekir. Havanın ne kadar soğuk olduğuna bağlı olarak, bu, yataktan kalkmanız gerektiğinde odanın hala soğuk olduğu anlamına gelebilir veya siz kalkmadan yarım saat önce ısınmış olduğu anlamına gelebilir. Uyarlamalı Başlatma, eğer saat 07:00'da 21°C sıcaklığı seçerseniz, ısıtıcının bu hedefe ulaşmak için tam zamanında açılacağı, hava sıcak olduğunda daha kısa süre çalışacağı ve odanın kış mevsiminde sıcak olacağı anlamına gelir.

Uyarlamalı Başlatma fonksiyonu, Zamanlayıcı Modunu kullandığınız zaman otomatik olarak etkinleşecektir.

- 1 Ekran
- 2 'Back' (Geri) Düğmesi
- 3 'Menu' Düğmesi
- 4 'Advance' (İleri) Düğmesi
- 5 'Yukarı ve Aşağı' Ok İşaretleri
- 6 'Enter' Düğmesi



## Bakım

### GENEL İPUÇL

Bu cihazda yalnızca filtrelenmiş musluk suyu kullanın.

Cihazın her zaman düz bir zeminde oturduğundan emin olun.

Cihazı 2 haftadan uzun süre kullanmayacaksınız, haznedeki ve depodaki suyu boşaltın.

Kurulduktan sonra, suyu haznedeki ve su deposundan boşaltmadan cihazı asla kaldırmayın veya geri yatırmayın.

Cihaz, lambalar çalışmıyorsa asla çalıştırılmamalıdır.

Lambalar şu bölümlerde anlatıldığı gibi düzenli olarak kontrol edilmelidir: 'Lambaları değiştirme'.

### SU DEPOSUNU DOLDURMA

Su deposu boşaldığı zaman, alev ve duman efekti kapanacak ve 2 sesli 'bip' uyarısı duyacaksınız.

Şu adımları uygulayın:

1. 'A' Düğmes (0) (Şek.10).
2. Yakıt deposunu hafifçe kaldırın ve dikkatlice bir yere koyun.
3. Su deposunu yukarı ve dışarı kaldırarak çıkarın.
4. Su deposunu lavaboya yerleştirin ve kapağını çıkarın, açmak için saat yönünün tersine çevirin. (Ş7)
5. Depo **yalnızca filtrelenmiş su ile doldurun**. Bu, alev ve duman üreten ünitenin ömrünü uzatmak için gereklidir. Su, geleneksel bir ev tipi su filtresi ünitesinden geçirilmeli ve filtre düzenli olarak değiştirilmelidir.
6. Kapağı geri takın, aşırı sıkmayın.
7. Depo kapağı aşağı bakacak ve deponun düz tarafı dışarı bakacak şekilde, depoyu kartere geri takın. (Şek. 8)
8. Yakıt deposunu nazikçe konumuna yerleş (Şek.9).
9. 'A' düğmesini 'ON' (Açık (I)) konumuna getirin (Ş.10).

### LAMBALARI DEĞİŞTİR

Alev ve duman efekti gri veya renksiz görünüyorsa, bir veya daha fazla lamba arızalanmış olabilir.

Lambaların bozulup bozulmadığını şöyle kontrol edebilirsiniz.

1. Alev efekti açık bırakarak yakıt deposunu ve su haznesini kaldırın.
2. Lambaları başlık ile birlikte görmek ve hangisinin değiştirilmesi gerektiğini gözlemlemek mümkün olacaktır.
3. 'A' Düğmesini 'OFF' (Kapalı) konuma getirin ve şömineyi çekin.
4. Lambaları çıkarmadan önce, soğumaları için cihazı 20 dakika beklemeye bırakın.
5. Hazneyi Temizleme bölümünde anlatıldığı gibi çıkarın.
6. Arızalı lambayı hafifçe dikey olarak kaldırın ve pimleri lamba tutucudan çıkararak kaldırın (Şek.4 ve 4a). OPTIMYST, 12V, 45W, Gu5.3 tabanlı, 8° ışın açılı renkli bir lamba takın (Tedarikçinizden satın alınan lamba kullanı)
7. Yeni lambanın iki pimini dikkatli bir şekilde lamba tutucusundaki iki deliğe yerleştirin. Yerine yerleşmesi için iti (Şe.4 ve 4a).
8. Hazne, başlık, su deposu ve yakıt deposunu yerine takın.

## TEMİZLE

**Uyarı** – Şömineyi temizlemeden önce her zaman 'A' Düğmesini 'OFF' (Kapalı) (0) konumuna (Şek. 10) getirin ve fişini prizden çekin.

Aşağıdaki parçaların, özellikle sertlik derecesi yüksek su olan bölgelerde iki haftada bir temizlenmesini öneririz:- Su Deposu, Hazne, Başlık, Depo kapağı ve contası, Hava filtresi.

Genel temizlik için yumuşak, temiz bir toz bezi kullanın - asla aşındırıcı temizleyiciler kullanmayın.

Herhangi bir toz veya tüy birikimini önlemek için, süpürgenin yumuşak fırça başlığı ile fan ısıtıcısının çıkış ızgarası temizlenmelidir.

### Su

1. Su deposunu daha önce anlatıldığı gibi çıkarın, lavaboya yerleştirin ve suyu boşaltın.
2. Tedarik edilen fırçayı kullanarak kapağın iç yüzeylerini yavaşça fırçalayın; dış oluktaki lastik halkaya ve ortadaki lastik contaya özel dikkat gösterin.
3. Depoya az bir miktar yıkama sıvısı koyun, kapağı tekrar takın ve iyice çalkalayın; yıkama sıvısının tüm kalıntıları temizlenene kadar iyice durulayın.
4. Sadece filtrelenmiş musluk suyu ile doldurun, kapağı yerine takın, aşırı sıkmayın.

### Haz

1. 'A' Düğmesini 'OFF' (Kapal (0) konumuna getirin.
2. Yakıt deposunu nazikçe kaldırın ve dikkatle yerde yere koyun.
3. Su deposunu yukarı doğru kaldırarak çıkarın.
4. Haznenin sağ tarafında bulunan elektrik konektörünü çıkarın. (Şek. 5).
5. Sağ hazne kilitleme tırnaklarını 90° döndürerek serbest bırakın. Bu şekilde htamamen yerinden çıkarılabilir. (Şek. 11)
6. Hazneyi yavaşça yukarı doğru kaldırın, suyun dökülmemesi için düz tutmaya dikkat edin. Hazne tertibatını lavaboya koyun.
7. Haznenin sol kilitleme tırnağını 90° çevirerek serbest bırakın ve Başlığı kaldırarak çıkarın. (Şek. 3)
8. Sıvının hazneden dışarı akması için, gösterilen şekilde dikkatlice eğin. (Şek. 13)
9. Hazneye az bir miktar yıkama sıvısı koyun ve tedarik edilen fırçayı kullanarak, metal diskler ve üstteki oluklu yüzeyde bulunan metal disk dahil olmak üzere, tüm yüzeyleri yavaşça temizleyin. (Şek. 14)
10. Temizledikten sonra hazneyi temiz su ile iyice durulayın.
11. Başlığı fırça ile temizleyin ve su ile iyice durulayın. (Şek. 15)
12. Tekrar monte etmek için yukarıdaki adımları tersten uygulayın.

### Hava fil

1. Yakıt deposunu nazikçe kaldırın ve dikkatle yerde yere koyun.
2. Hava filtresinin plastik tutacağına yavaşça yukarı doğru kaydırın. (Şek. 16)
3. Lavaboda su ile yavaşça durulayın ve yerine takmadan önce kumaş havluyla kurulayın.
4. Kalın siyah filtrenin şöminenin ön tarafına baktığından emin olarak filtreyi yerine.
5. Yakıt deposunu takın.

## Ek Bilgiler

### SATIŞ SONRASI HİZMETİ

Ürününüz, satın alındığı tarihten itibaren iki yıl garantilidir. Bu süre zarfında, bu talimatlara uygun olarak kurulmuş ve işletilmiş olması koşuluyla, bu ürünü ücretsiz olarak onaracağımızı ya da değiştireceğimizi taahhüt ediyoruz (lambalar hariç ve stok durumuna bağlı olmak üzere). Bu garanti altındaki haklarınız, bu garantiden etkilenmeyen yasal haklarınıza ektir.

### GERİ DÖNÜŞTÜRME



Avrupa Topluluğu dahilinde satılan elektrikli ürünler içindir - Elektrikli ürünlerin kullanım süresi sonunda ev atıkları ile birlikte atılmamalıdır. Lütfen gerekli tesislerin bulunduğu yerlerde geri dönüştürün. Yere Yetkiliniz veya ülkenizdeki geri dönüşüm danışmanlığı için satıcınız ile görüşün.

## PATENT / PATENT BAŞVURUSU

Optimyst serisindeki ürünler, aşağıdaki patentlerden veya patent başvurularından biri veya daha fazlası ile korunmaktadır:

Birleşik Krallık GB 2402206, GB 2460259, GB 2460453, GB 2418014, GB 2465738, GB 2449925, GB 2465537, GB 2455277, GB1020534.2, GB1020537.5, GB1110987.3

ABD US 7967690, US 2010299980, US 2011062250, US 2008028648, US 13/167,042

Rusya RU2008140317

AB EP 2029941, EP 2201301, EP 2315976, EP 1787063, EP07723217.1, EP11170434.2, EP 11170435.9

Çin CN 101883953, CN 200980128666.2, CN 101057105, CN 101438104

Avustralya AU 2009248743, AU 2007224634

Kanada CA 2725214, CA 2579444, CA 2645939

Uluslararası Patent Başvurusu WO 2006027272

Güney Afrika ZA 200808702

Meksika MX 2008011712

Kore KR 20080113235

Japonya JP 2009529649

Brezilya BR P10708894-9

Hindistan IN 4122/KOLNP/2008

Yeni Zelanda NZ 571900

Sorun Gide		
Sor	Neden	Düzeltilici Eylem
Alev efekti başlamıyor.	Fiş takılı değil.  Düşük su seviyesi.  düşük voltaj konektörü düzgün takılmamış. (Şek. 5)  Dönüştürücü Birimi hazneye doğru yerleştirilmemiş.	Fişin prize doğru takıldığından emin olun.  Su deposunun dolu olduğunu ve haznede su olduğunu kontrol edin.  Konektörün doğru yerleştirildiğinden emin ol. (Şek. 5)  Dönüştürücünün haznedeki yuvaya oturmasını sağlayın.
Alev efekti çok düşük.	Alev efekti düğmesi çok düşük ayarlanmış. (Şek. 10)  Dönüştürücüdeki Metal Disk kirli olabilir (Şek. 14).  Dönüştürücü Biriminden gelen tel metal diskin üzerinde duruyor.	Uzaktan Kumandayı kullanarak alev seviyesini arttırın (Ürünü Çalıştırma bölümüne bakın).  Metal Diski birlikte verilen yumuşak fırça ile temizleyin. (Şek. 14) adım adım prosedür için bkz. 'Bakım.'  Teli haznenin arkasına doğru yönlendirin ve hazneden çıkan yan yuvaya oturduğundan emin olun.
Birim kullanıldığında kötü bir koku geliyor.	Kirli veya bayat su.  Filtrelenmemiş musluk suyu kullanm.	Yalnızca filtrelenmiş musluk suyu kullanın.
Alev efekti çok fazla duman veriyor.	Alev efekti ayarı çok yüksek.	Alev efekti Kontrol düğmesi 'D' yi her seferinde yaklaşık ¼ tur kadar sağa doğru çevirin. Alev üreticisini arttırmadan önce ısınması için biraz bekleyin. (Şek. 10)
Ana lambalar çalışmıyor ve hiç alev veya duman yok.	Su deposunda su yok.	Şu bölümdeki talimatları uygulayın: <b>Bakım</b> , 'Su deposunu doldurma'.  Fişin prize doğru takıldığından emin olun ve 'A' Düğmesinin Şek. 10 'ON' (Açık I) konumunda olduğundan emin ol.

## Introdução

Leia este guia de informação cuidadosamente para poder instalar, usar e manter o seu produto de forma segura.

### Conselho de segurança importante

**CUIDADO: O NÃO CUMPRIMENTO DESTAS INSTRUÇÕES PODE PROVOCAR LESÃO E/OU DANO E PODE INVALIDAR A SUA GARANTIA**

Conselho de segurança importante

Ao usar aparelhos elétricos, as precauções básicas devem ser seguidas para reduzir o risco de incêndio, choque elétrico e lesões a pessoas, incluindo os seguintes:

- Se o aparelho estiver danificado, verifique com o fornecedor antes da instalação e funcionamento.
- Não utilize no exterior.
- Não utilize este aparelho nas imediações de uma banheira, duche ou piscina.
- Não colocar o aparelho imediatamente por baixo de uma saída de tomada fixa ou caixa de ligação.

**Aviso:** Este aquecedor não deve ser usado para qualquer outra coisa que não seja a finalidade doméstica normal no país onde foi comprado a partir de um revendedor comercial reconhecido.

Este aparelho pode ser utilizado por crianças com idade igual ou superior a 8 anos e pessoas com capacidades físicas, sensoriais ou mentais reduzidas ou com falta de experiência e conhecimentos se tiverem recebido supervisão ou instruções sobre a utilização do aparelho de forma segura e compreenderem os perigos envolvidos. As crianças não devem brincar com o aparelho. A limpeza e manutenção do utilizador não devem ser feitas por crianças sem supervisão.

Crianças com menos de 3 anos devem ser mantidas afastadas, a menos que sejam continuamente supervisionadas. As crianças com idades compreendidas entre os 3 anos e os 8 anos só devem ligar/desligar o aparelho desde que este tenha sido colocado ou instalado na sua posição normal de funcionamento prevista e tenham recebido supervisão ou instruções relativas à utilização do aparelho de forma segura e compreendam os riscos envolvidos. As crianças com idades compreendidas entre os 3 anos e os 8 anos não devem ligar, regular e limpar o aparelho ou executar manutenção do utilizador.

**Aviso:** Este aparelho deve estar ligado à terra.

Não é aconselhável o uso de um cabo de extensão ou de um adaptador de conexão múltipla ao ligar este produto à rede elétrica. A ligação através desses dispositivos pode levar a um risco de sobrecarga, sobreaquecimento e até mesmo incêndio no cabo de extensão ou no adaptador devido a uma qualidade de ligação inadequada.

Este aquecedor deve ser utilizado somente com alimentação de corrente alternada ~ e a tensão marcada no aquecedor deve corresponder à tensão de alimentação.

Não use este aparelho em série com um controlo térmico, um controlador de programa, um temporizador ou qualquer outro dispositivo que ligue automaticamente o calor, dado que existe um risco de incêndio quando o aquecedor é acidentalmente tapado ou deslocado.

**NÃO** usar o aquecedor numa pilha profunda de carpetes ou tapetes de pelo comprido, ou a menos de 750 mm de qualquer superfície pendente. Manter afastados os materiais combustíveis, como cortinas e outros móveis, de frente, lados e traseira do aquecedor. Não usar o aquecedor para secar a roupa.

No caso de uma avaria desligar o aparelho. Desligar o aparelho da corrente quando não for necessário durante longos períodos.

O aparelho deve ser posicionado de forma que a ficha fique acessível. Se o cabo de alimentação estiver danificado, deve ser substituído pelo fabricante ou agente de assistência ou pessoa qualificada para evitar um perigo. Manter o cabo de alimentação afastado da parte da frente do aparelho.

Cuidado: Algumas partes deste produto podem ficar muito quentes e causar queimaduras. Deve ser prestada especial atenção a crianças e pessoas vulneráveis.

Aviso: Para evitar sobreaquecimento, não tapar o aparelho. Não colocar material ou vestuário sobre o aparelho, nem obstrua a circulação de ar em torno do aparelho, por exemplo, por cortinas ou mobiliário, pois isto pode causar sobreaquecimento e um risco de incêndio.

O aparelho tem um aviso de NÃO TAPAR

Aviso: Para evitar um perigo devido a uma reinicialização inadvertida do corte térmico, este aparelho não deve ser fornecido através de um dispositivo de comutação externo, como um temporizador, ou ligado a um circuito que é ligado e desligado regularmente pela empresa de serviços públicos.

## Informações gerais

Usar apenas água filtrada neste aparelho.

Garantir sempre que o aparelho está assente numa superfície nivelada.

Embora este aquecedor esteja em conformidade com as normas de segurança, não recomendamos a sua utilização em tapetes de pelo profundo ou em tapetes de pelos longos.

Tenha em conta: Usado num ambiente onde o ruído de fundo é muito baixo, pode ser possível ouvir um som que está relacionado com funcionamento do efeito de chama. Tal é normal e não deve ser motivo de preocupação. Se este produto tiver um aumento de energia por qualquer motivo, o produto pode cortar. Esta é uma característica de segurança normal e o produto retomará a operação após 30 segundos.

Uma vez instalado, nunca mova este aparelho nem o deite de costas, sem drenar a água do reservatório e do depósito de água.

Se pretender não usar o aparelho durante mais de 2 semanas, drenar a água do reservatório e do depósito de água e secar o reservatório.

O depósito de água, reservatório, a tampa do reservatório, tampa do depósito e os filtros de ar devem ser limpos uma vez a cada duas semanas, particularmente em áreas de água dura.

O aparelho nunca deve ser operado se as lâmpadas não estiverem a funcionar.

As lâmpadas devem ser regularmente inspecionadas conforme descrito em “Manutenção” e “Mudar lâmpadas”.

## Informações técnicas

N.º Modelo: ENG56-400 E, ENG68-400 E, ENG56-600 E

Produção de calor		230 V	240 V	
Produção nominal de calor	$P_{Nom}$	1,8	2,0	kW
Produção máxima de calor	$P_{min}$	0,9	1,0	kW
Produção máxima de calor contínuo	$P_{máx}$	1,8	2,0	kW
Consumo auxiliar de eletricidade				
No modo Standby	$P_{Nom}$	0,45	0,48	W

controloeletrónico de temperatura ambiente mais temporizador de semana

## Instruções de instalação

Esta secção descreve como configurar a sua lareira.

### ANTES DE COMEÇAR

1. Garantir que todos os elementos de embalagem são removidos (ler cuidadosamente todas as etiquetas de aviso) e guardar todas as embalagens para possíveis usos futuros, por exemplo no caso de mudar de casa ou devolver o aparelho ao seu fornecedor.
2. Antes de ligar o aparelho confirmar se a tensão de alimentação é a mesma indicada no aquecedor.

Instalação num mantel de lareira

1. Ao instalar este aparelho num mantel de lareira garantir que escolhe um mantel adequado para o seu aparelho (Fig. 18). **Terá de ter um respiradouro na frente do mantel da lareira de pelo menos 88 cm<sup>2</sup>. É essencial garantir que o ar**



**consegue circular no aparelho - caso contrário o efeito de chama de Opti-myst não operará corretamente. Esta via para o ar não pode estar obstruída**

2. Retirar os 4 suportes de espaçamento na parte da frente do aparelho (Fig. 19)
3. Deslizar o aparelho para o mantel da lareira totalmente a partir de trás garantindo que está assente no centro do mantel. Usando parafusos adequados (não fornecidos) aparafuse para fixar o aparelho no lugar (Fig. 20)
4. Certificar-se de posicionar a lareira a 1 m de uma tomada de corrente (Fig. 21)

Instalação numa parede em cavidade recessa

1. Considerar as dimensões do produto na Fig. 1 e construir uma estrutura adequada para o aparelho encaixar a 1 m de uma tomada de corrente (Fig. 22). Usando parafusos adequados (não fornecidos) aparafuse para fixar o aparelho no lugar
2. Considerar as ranhuras de ventilação no aparelho. Estão situados na parte inferior frontal e sob o aparelho
3. Construir a parede contra o aparelho usando os suportes de espaçamento como guia.
4. **Tem de haver ventilação de ar na parte da frente da estrutura de pelo menos 88 cm<sup>2</sup>. É essencial garantir que o ar consegue circular no aparelho - caso contrário o efeito de chama de Opti-mys não operará corretamente. Esta via para o ar não pode estar obstruída. Para exemplos de ventilações de ar na parede ou cavidade recessa ver a Fig. 23**

Ligar a unidade do transdutor + lâmpadas

1. Libertar as duas guias vermelhas rodando-as 90 graus (Fig. 2)
2. Retirar o bocal do reservatório (Fig. 3)
3. Insirir as lâmpadas nos suportes de lâmpadas (Fig. 4), localizando cuidadosamente os pinos nos orifícios (Fig. 4a)
4. Colocar as lâmpadas com firmeza no lugar
5. Colocar a unidade do transdutor no reservatório e juntar o cabo ao conector no reservatório (Fig. 5)
6. Para garantir que a unidade do transdutor está corretamente colocada no reservatório, a guia da unidade do transdutor deve estar alinhada com o recesso moldado no reservatório (Fig. 5a)
7. Garantir que o cabo não está colocado acima do disco na unidade do transdutor (Fig. 5b). Para prevenir que o cabo fique comprimido entre o bocal e o reservatório, colocar o cabo na ranhura na parede do reservatório
8. Voltar a colocar o bocal do reservatório e fixá-lo rodando as duas guias vermelhas cerca de 90 graus (Fig. 6)

Encher o depósito de água

9. Colocar o depósito de água na banca e retirar a tampa (rodar para a esquerda para abrir) (Fig. 7)
10. Encher o depósito de água com **água da torneira filtrada apenas**. Tal é necessário para prolongar a duração da unidade de produção de chama e fumo. A água deve ser filtrada através de uma unidade doméstica de filtro de água convencional e o filtro deve ser substituído regularmente. A água destilada **não** deve ser usada.
11. Voltar a apertar a tampa - **não apertar em excesso**.
12. Colocar o depósito de água no reservatório com a tampa do depósito virada para baixo e o lado plano do depósito virado para fora (Fig. 8)

Montar a lareira

13. Colocar o recipiente de combustível na parte de cima do depósito de água e bocal de humidade (Fig. 9)

## Operar o produto

AVISO: O NÃO CUMPRIMENTO DESTAS INSTRUÇÕES DE FUNCIONAMENTO PODE RESULTAR EM LESÃO E/OU DANOS.


### Controlos manuais


Os controlos manuais de Opti-myst estão situados na base do aparelho.

(Ver Fig. 2 para disposição do controlo manual)

Interruptor "A":- Controla o fornecimento de eletricidade à lareira.

Nota: Este interruptor deve estar na posição "ON" (I) para a lareira operar com ou sem calor quando ativada.


Interruptor "B":- Pressionar  uma vez para ligar o efeito de chama. Tal será indicado por um aviso sonoro. Embora as luzes principais funcionem imediatamente, levará mais 45 segundos antes do início do efeito da chama.

Pressionar  para colocar a lareira em modo de standby Tal será indicado com um aviso sonoro.

### Controlo remoto

O controlo remoto está embalado com 2 baterias AA num saco. Retire a tampa da bateria na parte traseira do controlo remoto e insira as baterias prestando atenção à polaridade.

O telecomando já foi emparelhado com o seu produto durante a montagem de fábrica. Na eventualidade improvável do telecomando se desligar do produto ou caso obtenha um telecomando sobresselente, terá de realizar o processo de emparelhamento:

1. Com o produto ligado, coloque A na posição ON (Ligado) (I). Deverá ouvir um sinal sonoro
2. Mantenha premido o "Botão 6" até PAIR (Emparelhar) aparecer no ecrã
3. Aproxime o telecomando do produto onde se encontra o recetor . Ver a Fig. 17
4. O produto começa a emitir um sinal sonoro e acende uma luz intermitente
5. Prima o "Botão 6" para concluir o processo de emparelhamento. O produto passa ao modo de espera.

Ligar o aparelho

Pressionar e manter pressionado o botão ENTER durante 3 segundos para ativar o controlo remoto. Será exibido FIRE e ON piscará. Pressionar ENTER para ligar o aparelho. Para desligar o aparelho pressionar MENU para que FIRE pisque, pressionar ENTER duas vezes.

### Ajustar a definição de chama

Com o controlo remoto ativado pressionar uma vez. FIRE estará a piscar no visor. Pressionar ENTER. A atual definição de chama será exibida F1-F6. Pressionar os botões CIMA e BAIXO para ajustar a definição. Depois de selecionar a sua configuração de chama, pressionar BACK duas vezes para sair do menu e voltar ao ecrã de início.

### Ligar o aquecimento

Com o controlo remoto ativado pressionar MENU uma vez. FIRE estará a piscar no visor. Pressionar ADV uma vez, HEAT piscará. Pressionar ENTER. A atual definição de calor será exibida OFF LO HI. Pressionar os botões CIMA e BAIXO para ajustar a definição. Depois de selecionar a sua definição de chama, pressionar ENTER.

### Definir o termóstato

A temperatura exibida no visor é o ponto de definição da temperatura ambiente. Esta é a temperatura que o aquecedor irá manter durante os períodos de aquecimento. Se a temperatura ambiente estiver acima desta temperatura, o aquecedor não funcionará. O aquecedor sai da fábrica com esta temperatura definida em 15°C o que representa uma temperatura ambiente típica confortável. Se precisar de uma temperatura ambiente diferente, pressionar para cima ou para baixo no ecrã de início até o visor mostrar a temperatura desejada.

### Corte de segurança térmica

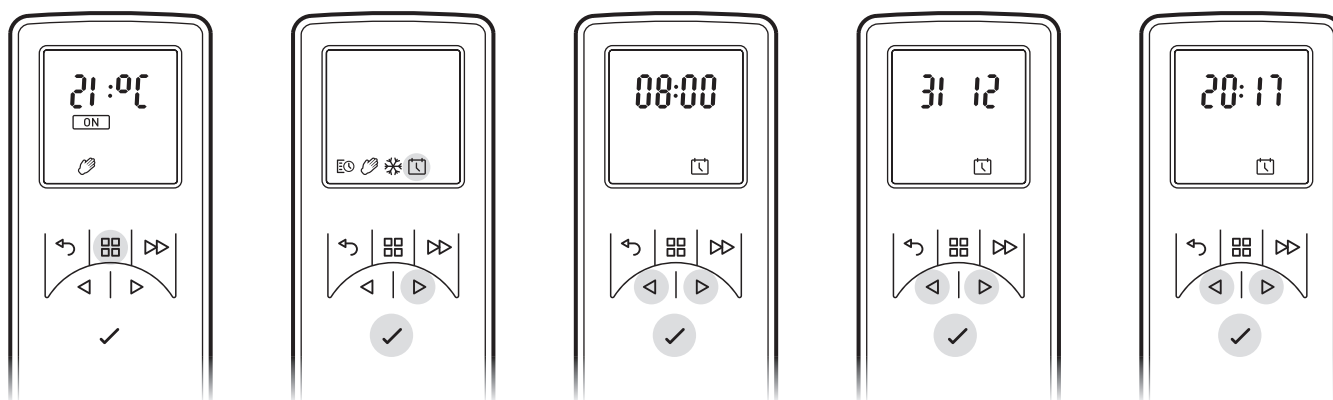
Um corte de segurança térmica é incorporado no aquecedor do ventilador para evitar danos devido ao sobreaquecimento. Isto pode acontecer se a saída de calor tiver sido obstruída de qualquer maneira. Se ocorrer o corte, desligar o aquecedor da tomada e deixar aproximadamente 10 minutos antes de voltar a ligar. Antes de voltar a ligar o aquecedor, remover qualquer obstrução que possa limitar a saída de calor, de seguida continuar o funcionamento normal.

CUIDADO: Para evitar um perigo devido a uma redefinição inadvertida do corte térmico, este aparelho não deve ser fornecido através de um dispositivo de comutação externo, como um temporizador, ou ligado a um circuito que é ligado e desligado regularmente pela empresa de serviços públicos.

### Acertar data e hora

Para acertar a data e a hora no aquecedor;

1. Pressionar o botão Menu
2. Pressionar o botão ^ 4 vezes
3. Pressionar Enter quando o ícone Data e hora estiver a piscar
4. Pressionar Enter para acertar a hora
5. Pressionar v e ^ para acertar a hora, pressionar Enter
6. Pressionar v e ^ para acertar os minutos pressionar Enter para confirmar a hora
7. Pressionar v e ^ para acertar o dia, pressionar Enter
8. Pressionar v e ^ para acertar o mês, pressionar Enter
9. Pressionar v e ^ para acertar o ano, pressionar Enter para confirmar a data



### Modos de operação remota

Temporizador do utilizador: Disponibiliza maior flexibilidade ao utilizador. Ranhuras de quatro tempos estão disponíveis ao longo do dia e estas podem ser personalizadas para cada dia da semana. Ver “Como ajustar os modos do temporizador” para instruções sobre como os ajustar a partir dos períodos de tempo e temperaturas padrão de fábrica.

Modo manual: Este modo aquece o quarto para a temperatura com que configurou o controlo remoto.

Proteção contra congelação: Este modo manterá uma temperatura ambiente para 7°C. Este modo deve ser usado para proporcionar proteção contra congelação conforme indicado pelo ícone gelo.

### Escolher e definir um modo

Temporizador do utilizador - Para reprogramar os modos de temporizador padrão de fábrica:

1. Pressionar o botão Menu
2. Pressionar ^ uma vez para o programa O ícone está a piscar. Pressionar Enter
3. Pressionar ^ duas vezes e de seguida pressionar Enter  
\*Dias das semanas são agora exibidos na parte de cima do ecrã\*  
Dia 1 = Segunda-feira  
Dia 2 = Terça-feira  
Dia 3 = Quarta-feira  
Dia 4 = Quinta-feira  
Dia 5 = Sexta-feira  
Dia 6 = Sábado  
Dia 7 = Domingo
4. Pressionar Enter para modificar Dia 1 ou pressionar ^ para navegar para o dia desejado e pressionar Enter para selecionar
5. P1 será exibido no ecrã
6. Pressionar Enter para selecionar P1, para navegar para P2, P3 ou P4 pressionar ^ e pressionar Enter para selecionar
7. ON será destacado, pressionar Enter para definir a hora de ativação
8. Pressionar v ou ^ para acertar a hora de ativação, pressionar Enter para confirmar
9. Pressionar v ou ^ para acertar os minutos de ativação, pressionar Enter para confirmar
10. Pressionar v ou ^ para acertar a definição de temperatura, pressionar Enter para Confirmar
11. Pressionar v ou ^ para acertar a hora de desligar, pressionar Enter para confirmar
12. Pressionar v ou ^ para acertar os minutos de desligar, pressionar Enter para confirmar

Pressionar Enter para modificar o Programa P2, seguir os passos 5-12, pressionar ^ para saltar para P3

Pressionar Enter para modificar o Programa P3, seguir os passos 5-12, pressionar ^ para saltar para P4

Pressionar Enter para modificar o Programa P4, seguir os passos 5-12

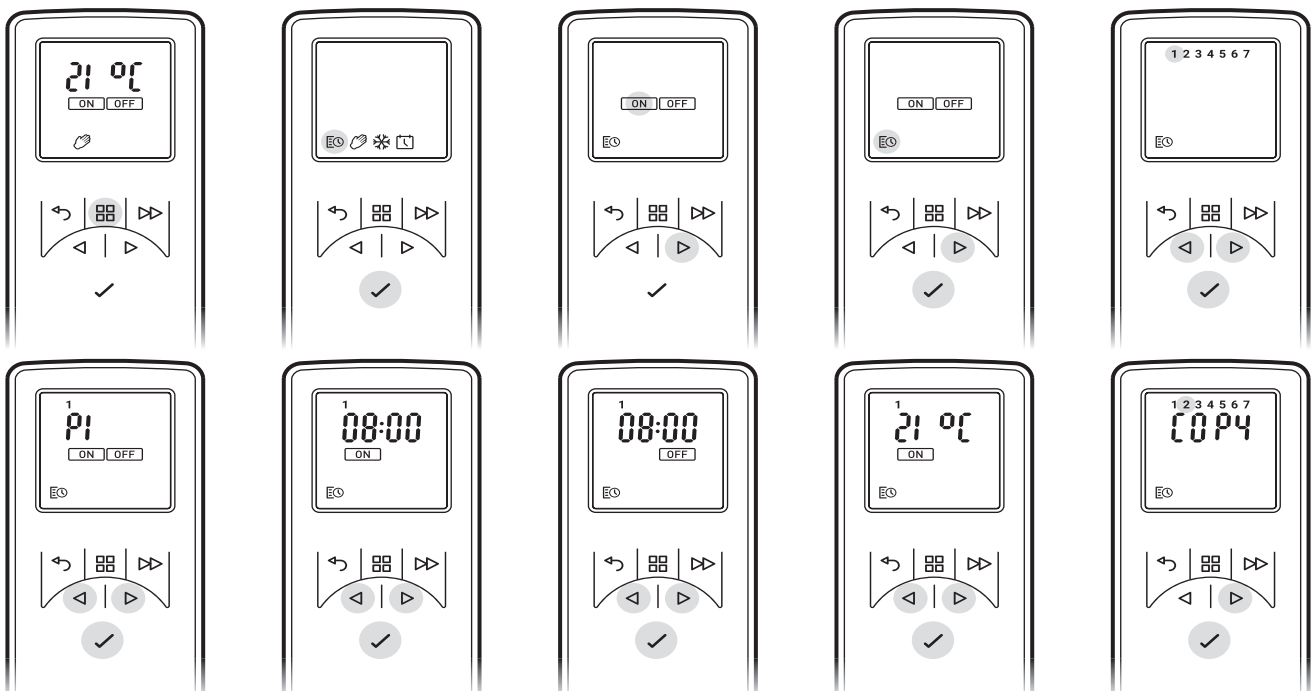
Para copiar os programas de aquecimento P1-P4 recentemente programados para outros dias pressionar o botão Enter.

Copiar será exibido no ecrã

Para copiar para o próximo dia na sequência, pressionar o botão ^. Para cancelar a seleção do próximo dias na sequência pressionar o botão Enter.

Os dias da semana que estão selecionados serão exibidos na parte de cima do ecrã. Os dias que tenham sido deselecionados não estarão visíveis (ver Diagramas).

Pressionar Enter para confirmar, a iluminação posterior piscará e volta ao ecrã de início.

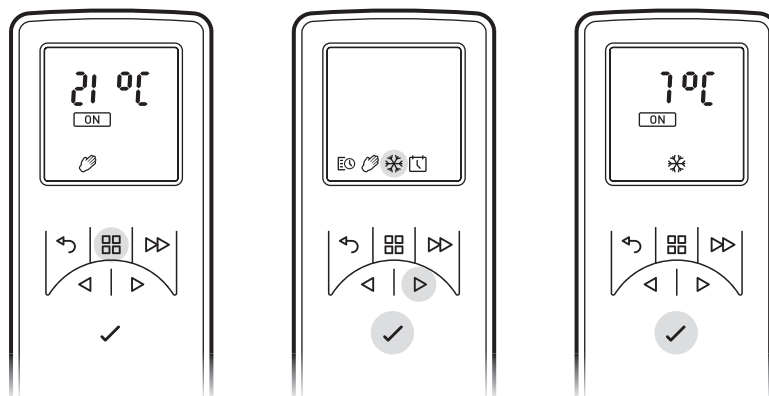


Modo manual - Para escolher um modo de aquecimento constante. Este modo ignora o temporizador do utilizador e mantém a temperatura exibida.

- Pressionar o botão Menu
- Pressionar ^ duas vezes para destacar o ícone Mão
- Pressionar Enter para confirmar
- Usar v e ^ para ajustar para a temperatura desejada

Proteger contra a congelação - O modo de proteção contra congelação mantém uma temperatura ambiente de 7°C durante um período de 24 horas. Este modo deve ser usado para disponibilizar proteção contra congelação conforme indicado pelo ícone Gelo.

- Pressionar o botão Menu
- Pressionar ^ três vezes para destacar o ícone floco de neve
- Pressionar Enter para confirmar
- Pressionar v ou ^ para sair deste modo e entrar no modo manual.



### Obter o efeito de chama desejado

1. Usando o controlo remoto pressione MENU, FIRE no visor ficará a piscar, pressionar ENTER. A definição atual será exibida. Pressionar ^ ou v para alternar entre F1 e F6. F1 sendo a definição mais baixa e F6 sendo a definição mais alta.
2. Geralmente a chama parece mais realista quando o controlo de chama está virado para baixo.
3. Dê tempo ao gerador de chama para reagir a alterações que possa fazer.
4. A lareira irá usar menos água se o efeito de chama for definido para um nível mais baixo.
5. Não inclinar ou mover a lareira enquanto houver água no depósito ou reservatório.
6. Garantir que a lareira está num piso nivelado.

### Personalizar o visor

O ponto de definição de temperatura máxima no produto é 32°C Tem a opção de reduzir este ponto de definição. Pode também alterar °C para °F

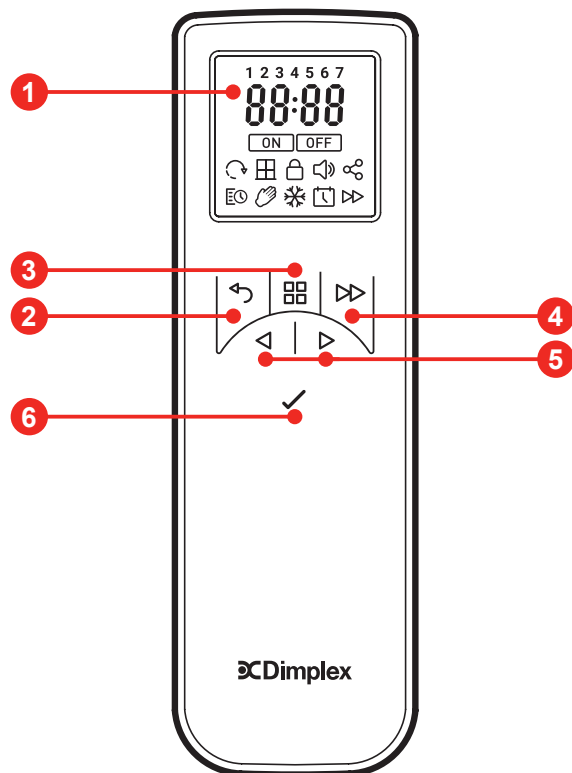
1. Pressionar o botão Menu.
2. Pressionar o botão ADV duas vezes - SP piscará.
3. Pressionar Enter para confirmar.
4. Pressionar v ou ^ para escolher entre °C e °F.
5. Pressionar Enter para confirmar.
6. Pressionar v ou ^ para escolher o seu ponto de definição de temperatura mínima.
7. Pressionar Enter para confirmar.
8. Pressionar BACK três vezes para voltar ao ecrã de início.

### Arranque adaptativo

A eletrónica integrada neste aparelho tem uma função de aprendizagem no que respeita a quanto tempo demora a aquecer um quarto. Tendo aprendido o quão rapidamente pode aquecer o seu quarto, o aparelho consegue ligar-se na altura certa para ter o quarto a uma temperatura confortável quando o pretender. Por exemplo, se se levanta às 7 da manhã, normalmente teria de adivinhar quando ligar o aquecimento para pré-aquecer o quarto a tempo. Dependendo do frio que esteja no exterior tal pode significar que o quarto continua frio quando tem de sair da cama, ou significa que foi aquecido durante meia hora antes de o necessitar. Arranque adaptativo significa que se seleciona 21°C às 7 da manhã, o aquecedor liga-se exatamente quando é necessário para cumprir com este objetivo, sendo executado por períodos mais curtos de tempo quando o tempo está ameno e garantindo que o quarto está agradável e quente no inverno.

A função de arranque adaptativo ativa-se automaticamente quando usa o modo de temporizador.

- 1 Ecrã do visor
- 2 Botão "Back"
- 3 Botão "Menu"
- 4 Botão "Advance"
- 5 Setas "Cima e Baixo"
- 6 Botão Enter



## Manutenção

### DICAS GERAIS

Use apenas água da torneira filtrada neste aparelho.

Garantir sempre que o aparelho está assente numa superfície nivelada.

Se pretender não usar o aparelho durante mais de 2 semanas, retirar e esvaziar o reservatório e o depósito de água. Uma vez instalado, nunca mova este aparelho nem o deite de costas, sem drenar a água do reservatório e do depósito de água.

O aparelho nunca deve ser operado se as lâmpadas não estiverem a funcionar.

As lâmpadas devem ser regularmente inspecionadas conforme descrito em "Mudar lâmpadas".

### ENCHER O DEPÓSITO DE ÁGUA

Quando o depósito de água está vazio, o efeito de chama e fumo desliga-se e ouvirá 2 avisos sonoros, seguir estes passos.

1. Pressionar o interruptor "A" para **(0)** (Fig. 10)
2. Cuidadosamente retirar e colocar de lado o recipiente do combustível.
3. Retirar o depósito de água levantando e removendo.
4. Colocar o depósito de água na banca e retirar a tampa, para a esquerda para abrir. (Fig. 7)
5. Encher o depósito com **água da torneira filtrada apenas**. Tal é necessário para prolongar a duração da unidade de produção de chama e fumo.  
A água deve ser filtrada usando uma unidade doméstica convencional de filtro de água e o filtro deve ser substituído regularmente.
6. Apertar de novo a tampa, não apertar em excesso.
7. Voltar a colocar o depósito no reservatório, com a tampa do depósito virada para baixo e o lado plano do depósito virado para fora. (Fig. 8)
8. Cuidadosamente voltar a colocar o recipiente de combustível na posição. (Fig. 9)
9. Pressionar o interruptor "A" para a posição "ON" **(I)** (Fig. 10)

### MUDAR LÂMPADAS

Se o efeito de chama e fumo parecer cinzento ou incolor pode ser que uma ou mais lâmpadas estejam fundidas. Pode verificar se a lâmpada está fundida conforme se segue.

1. Deixando o efeito de chama ligado, retirar o recipiente de combustível e o depósito de água.
2. Deve ser possível ver as lâmpadas com o bocal no lugar e observar qual precisa de ser trocada.
3. Colocar o interruptor "A" na posição "OFF" e desligar a lareira da corrente.
4. Deixar o aparelho durante 20 minutos para deixar que as lâmpadas arrefeçam antes de as retirar.
5. Remover o reservatório conforme descrito na secção Limpeza.
6. Remover a lâmpada fundida, suavemente elevando na vertical e desengatando os pinos do suporte da lâmpada, (Fig.

4 e 4a).

Substituir por uma lâmpada colorida, OPTIMYST, de 12 V, 45 W, base Gu5.3 e ângulo com 8° de feixe. (Adquirida apenas do seu fornecedor)

7. Cuidadosamente inserir os dois pinos da nova lâmpada nos dois orifícios no suporte da lâmpada. Empurrar com firmeza no lugar. (Fig. 4 e 4a).
8. Voltar a colocar o reservatório, o bocal, o depósito de água e recipiente de combustível.

## LIMPEZA

**Aviso** - Pressionar sempre o interruptor “A” para a (0) posição “OFF” (Fig. 10) e desligar do cabo de alimentação antes de limpar a lareira.

Recomendamos a limpeza dos seguintes componentes a cada 2 semanas, particularmente em áreas de água dura:- Depósito de água, reservatório, bocal, tampa do depósito e vedante, filtro do ar.

Para limpeza geral, usar um espanador suave e limpo - nunca usar produtos de limpeza abrasivos.

Para remover qualquer acumulação de poeira ou pelúcia, o acessório de escova macia de um aspirador deve ocasionalmente ser usado para limpar a grelha de saída do aquecedor do ventilador.

### Depósito da água

1. Retirar o depósito da água conforme descrito anteriormente, colocá-lo na banca e esvaziar a água.
2. Usando a escova fornecida, suavemente esfregar as superfícies interiores da tampa prestando particular atenção ao anel de borracha na ranhura externa e ao vedante de borracha central.
3. Colocar uma pequena quantidade de detergente líquido no depósito, reajustar a tampa e agitar bem, enxaguar até que todos os vestígios de detergente líquido tenham desaparecido.
4. Voltar a encher apenas com água da torneira filtrada, voltar a colocar a tampa, não apertar em excesso.

### Reservatório

1. Pressionar o interruptor “A” para a posição (0) “OFF”
2. Cuidadosamente retirar o recipiente de combustível e colocar no chão.
3. Retirar o depósito de água levantando-o.
4. Desligar o conector elétrico, situado no lado direito do reservatório. (Fig. 5) .
5. Libertar as guias de bloqueio da direita do reservatório rodando 90°. Isto permite que o reservatório seja completamente levantado da sua localização. (Fig. 11)
6. Cuidadosamente levante o reservatório, tendo cuidado para o manter nivelado para não derramar água. Pousar a unidade na banca
7. Libertar as guias de bloqueio da esquerda do reservatório rodando 90°, de seguida levantar o bocal. (Fig. 3)
8. Levantar o transdutor e cuidadosamente inclinar, conforme exibido, para que o líquido drene para fora do reservatório. (Fig. 13)
9. Colocar uma pequena quantidade de detergente líquido no reservatório e usando a escova fornecida, suavemente limpar todas as superfícies no reservatório e limpar o transdutor incluindo os discos de metal localizados na parte de cima da superfície ranhurada. (Fig. 14)
10. Depois de limpo, cuidadosamente enxaguar o reservatório com água limpa para remover todos os vestígios de detergente líquido.
11. Limpar o bocal com a escova e lavar cuidadosamente com água. (Fig. 15)
12. Inverter os passos acima para voltar a montar.

### Filtro do ar

1. Cuidadosamente retirar o recipiente de combustível e colocar no chão.
2. Cuidadosamente deslizar o filtro do ar para cima e para fora do seu suporte de plástico. (Fig. 16)
3. Cuidadosamente enxaguar com água na banca e secar com uma toalha de tecido antes de devolver.
4. Voltar a colocar o filtro garantindo que o filtro preto áspero está virado para a frente da lareira.
5. Voltar a colocar o recipiente de combustível.

## Informação adicional

### SERVIÇO DE PÓS-VENDA

O seu produto tem uma garantia de dois anos a partir da data de compra. Durante este período, responsabilizamos por reparar ou substituir este produto gratuitamente (excluindo as lâmpadas e sujeito à disponibilidade) desde que tenha sido instalado e utilizado de acordo com estas instruções. Os direitos do utilizador ao abrigo desta garantia são adicionais aos direitos estatutários, que por sua vez não são afetados por esta garantia.

### RECICLAGEM



Para produtos elétricos vendidos na Comunidade Europeia - No final da vida útil dos produtos elétricos estes não devem ser eliminados como resíduos domésticos. Reciclar onde existam instalações. Consulte a Autoridade Local ou o revendedor para informações de reciclagem no seu país.

## PATENTE/APLICAÇÃO DE PATENTE

Produtos da gama Optimyst estão protegidos por uma ou mais das seguintes patentes e aplicações de patente:

Grã-Bretanha GB 2402206, GB 2460259, GB 2460453, GB 2418014, GB 2465738, GB 2449925, GB 2465537, GB 2455277, GB1020534.2, GB1020537.5, GB1110987.3

Estados Unidos US 7967690, US 2010299980, US 2011062250, US 2008028648, US 13/167,042

Rússia RU2008140317

Europa EP 2029941, EP 2201301, EP 2315976, EP 1787063, EP07723217.1, EP11170434.2, EP 11170435.9

China CN 101883953, CN 200980128666.2, CN 101057105, CN 101438104

Austrália AU 2009248743, AU 2007224634

Canadá CA 2725214, CA 2579444, CA 2645939

Aplicação Internacional de Patente WO 2006027272

África do Sul ZA 200808702

México MX 2008011712

Coreia KR 20080113235

Japão JP 2009529649

Brasil BR P10708894-9

Índia IN 4122/KOLNP/2008

Nova Zelândia NZ 571900

Resolução de problemas		
Sintoma	Causa	Ação corretiva
O efeito de chama não inicia.	A tomada não está ligada.  Nível de água baixo.  Conector de baixa tensão não ligado devidamente. (Fig. 5)  A unidade do transdutor não está corretamente assente no reservatório	Verificar se a ficha está ligada corretamente à tomada de parede.  Verificar se o depósito de água está cheio e se há água no reservatório.  Verificar se o conector está corretamente inserido. (Fig. 5)  Garantir que o transdutor está assente no recesso moldado no reservatório
O efeito de chama é muito baixo.	O botão do efeito de chama está definido muito baixo. (Fig. 10)  O disco de metal no transdutor pode estar sujo (Fig. 14)  O fio da unidade do transdutor está assente sobre o disco de metal	Aumentar o nível de chama usando o controlo remoto (Ver secção para Operação do produto)  Limpar o disco de metal com a escova suave fornecida. (Fig. 14) Ver “Manutenção” para um procedimento passo a passo.  Direcionar o fio de volta ao reservatório e garantir que assenta na ranhura lateral que sai do reservatório.
Cheiro desagradável quando a unidade é usada.	Água suja ou parada.  Usar água da torneira não filtrada.	Limpar a unidade conforme descrito em manutenção.  Usar apenas água da torneira filtrada.
O efeito de chama tem muito fumo.	A definição do efeito de chama está muito alta.	Rodar o botão “D” de controlo do efeito de chama para a direita cerca de 1/4 de volta de uma vez. Dar algum tempo ao gerador de chama para ajustar a nova definição. (Fig. 10)
As lâmpadas principais não estão a funcionar e não há chamas ou fumo.	Não há água no depósito de água	Seguir as instruções em <b>Manutenção</b> , “Encher o depósito de água”.  Verificar se a ficha está ligada à tomada de parede corretamente e se o interruptor “A” Fig. 10 está na posição “ON” (I).

## Introduksjon

Vennligst les denne informasjonen nøye for å kunne installere, bruke og vedlikeholde produktet på en sikker måte.

## Viktig sikkerhetsrådgivning

**FORSIKTIG: MANGEL PÅ Å FØLGE DISSE INSTRUKSJONENE KAN FØRE TIL PERSONSKADE OG/ELLER SKADE OG KAN GJØRE GARANTIEN UGYLDIG**

### Viktig sikkerhetsrådgivning

Ved bruk av elektriske apparater bør grunnleggende forholdsregler følges for å redusere faren for brann, elektrisk støt og personskade, herunder følgende:

- Hvis apparatet er skadet, forhør deg med leverandøren før installasjon og drift.
- Må ikke brukes utendørs.
- Ikke bruk dette apparatet i umiddelbar nærhet av bad, dusj eller svømmebasseng.
- Dette apparatet må ikke plasseres umiddelbart over eller under et stikkontakt eller tilkoblingsboks.

**Advarsel:** Denne varmeren må ikke brukes til annet enn vanlig husholdningsbruk i landet der det ble kjøpt fra en anerkjent kommersiell forhandler.

Dette apparatet kan brukes av barn fra 8 år og oppover og personer med reduserte fysiske, sensoriske eller mentale evner eller manglende erfaring og kunnskap dersom de er gitt innføring eller instruksjon om bruken av apparatet på en sikker måte og forstår farene involvert. Barn skal ikke leke med apparatet. Rengjøring og vedlikehold skal ikke utføres av barn uten tilsyn. Barn under 3 år skal holdes vekk dersom de ikke blir overvåket kontinuerlig. Barn i alderen 3 år og under 8 år skal bare slå på/av apparatet, forutsatt at det er plassert eller installert i den tiltenkte normale driftsposisjonen, og de har fått tilsyn eller instruksjoner om bruk av apparatet på en trygg måte og forstår farene involvert. Barn i alderen 3 år og under 8 år må ikke plugge inn, regulere og rengjøre apparatet eller utføre vedlikehold.

**Advarsel:** Dette apparatet må jordes.

Bruken av en skjøteledning eller multipluggadapter anbefales ikke når du kobler dette produktet til strømmettet. Tilkobling gjennom disse enhetene kan føre til en risiko for overbelastning, overoppheting og jevn flamme på forlengelsesledningen eller adapteren på grunn av utilstrekkelig tilkoblingskvalitet.

Denne varmeren må kun brukes på en vekselstrømforsyning, og spenningen som er merket på varmeren må tilsvare tilførselsspenningen.

Ikke bruk dette apparatet i serie med en termisk kontroll, en programkontroller, en timer eller en annen enhet som slår på varmen automatisk, da det er brannfare når apparatet ved et uhell dekkes til eller forskyves.

IKKE bruk varmeren på kraftige tepper eller den lange hårtykkelsen på tepper, eller mindre enn 750 mm (30") unna en overliggende overflate. Oppbevar brennbare materialer som for eksempel gardiner og andre møbler som er klare fra fronten, siden og baksiden av varmeren. Ikke bruk varmeren for å tørke tøyet ditt.

Hvis det oppstår en feil, trekk ut støpselet. Trekk ut støpselet når det ikke brukes over lengre perioder.

Apparatet må plasseres slik at støpselet er tilgjengelig. Dersom strømforsyningskabelen er skadet, må den skiftes av produsenten, serviceagenten eller lignende kvalifisert person for å unngå fare. Hold ledningen unna apparatets front.



Forsiktig: Enkelte deler av dette produktet kan bli veldig varmt og forårsake brannskader. Spesiell oppmerksomhet må gis der barn og sårbare mennesker er til stede.

Advarsel: For å unngå overoppvarming, bør ikke apparatet dekkes til. Ikke plasser materiale eller plagg på apparatet eller hindre luftsirkulasjonen rundt apparatet, for eksempel med gardiner eller møbler, da dette kan føre til overoppheting og brannfare.

Apparatet har en MÅ IKKE TILDEKKES-advarsel

Advarsel: For å unngå fare ved utilsiktet tilbakestilling av termisk utkobling, må ikke dette apparatet leveres via en ekstern bryter, for eksempel en tidsur eller koblet til en krets som regelmessig slås på og av med verktøyet.

## Generell informasjon

Bruk bare filtrert vann i dette apparatet.

Pass alltid på at apparatet sitter i vater på en overflate.

Selv om denne varmeren er i samsvar med sikkerhetsstandarder, anbefaler vi ikke bruk på dype tepper eller på lange hårtyper.

Vennligst merk: Hvis den brukes i et miljø der bakgrunnsstøyen er veldig lav, kan det være mulig å høre en lyd som er relatert til drift av flammeeffekten. Dette er normalt og bør ikke være en grunn til bekymring.

Hvis dette produktet opplever en overspenning, uansett årsak, kan produktet kutte ut. Dette er en vanlig sikkerhetsfunksjon, og produktet gjenopptar operasjonen etter 30 sekunder.

Når den er installert, må du ikke flytte dette apparatet eller ligge på ryggen, uten å tømme vannet fra sump og vannbeholder.

Hvis du ikke har tenkt å bruke apparatet i mer enn 2 uker, må du drenere vannet fra sump- og vannbeholder og tørke sumpen.

Vanntanken, sump, sumplokk, tankdeksel og luftfiltre må rengjøres en gang hver annen uke, spesielt i områder med hardt vann.

Apparatet må aldri betjenes hvis lampene ikke virker.

Lampene bør inspiseres jevnlig som beskrevet under 'Vedlikehold' og 'Skifte lamper'.

## Teknisk informasjon

Modellnr. ENG56-400 E, ENG68-400 E, ENG56-600 E

Varmeutgang		230V	240V	
Nominell varmeutgang	$P_{\text{Nom}}$	1,8	2,0	kW
Minimum varmeutgang	$P_{\text{min}}$	0,9	1,0	kW
Maksimal kontinuerlig varmeeffekt	$P_{\text{maks}}$	1,8	2,0	kW
Ekstra strømforbruk				
I ventemodus	$P_{\text{Nom}}$	0,45	0,48	W

elektronisk romtemperaturkontroll pluss uketidtaker

## Installasjonsinstruksjoner

Denne delen beskriver hvordan du setter opp peisen.

### FØR DU BEGYNNER

1. Forsikre deg om at alle emballasjer er fjernet (les advarselsetikettene nøye) og behold all emballasje for mulig fremtidig bruk, f.eks. ved flytting eller retur av apparatet til leverandøren.
2. Før tilkobling av apparatet, kontroller at tilførselsspenningen er den samme som den som er angitt på varmeren.

Montering i peismantel

1. Når du installerer dette apparatet i en peismantel, må du sørge for at du velger et mantel som passer for apparatet (fig. 18). **Det skal være en luftventil på forsiden av peismantelen på minst 88 cm<sup>2</sup>. Det er viktig for å sikre at luften kan sirkulere inn i apparatet – ellers vil Opti-myst flammeeffekt ikke fungere riktig. Denne luftveien må ikke hindres**
2. Fjern de fire avstandsskivene på apparatets front (fig. 19)
3. Skyv apparatet inn i peismantelen helt fra baksiden, og sørg for at den sitter midt i midten av mantelen. Ved hjelp av egnede skruer (medfølger ikke), skru maskinen på plass (fig. 20)
4. Pass på at du plasserer peisen innen 1 m fra stikkkontakten (fig. 21)

#### Montering i vegg eller hulrom

1. Legg merke til produktdimensjonene i fig. 1 og bygg en egnet konstruksjon for at apparatet passer inn i 1 m av en stikkontakt (fig. 22). Ved hjelp av egnede skruer (medfølger ikke), skru maskinen på plass
2. Legg merke til lufteåpningene i apparatet. De er plassert på forsiden og under apparatet
3. Bygg veggen opp mot apparatet ved hjelp av avstandsskivene som en veiledning
4. **Det skal være en luftventil på forsiden av strukturen på minst 88 cm<sup>2</sup>. Det er viktig å sikre at luften kan sirkulere inn i apparatet – ellers vil den optimale Opti-myst flammeeffekten ikke fungere riktig. Denne luftveien må ikke hindres. For eksempel på luftåpninger i en vegg eller hulrom, se fig. 23**

#### Tilkobling av transduserenheten + lamper

1. Slipp de to røde fanene ved å snu dem 90 grader (fig. 2)
2. Løft ut sumpmunnstykket (fig. 3)
3. Sett inn lamper i lampeholdere (fig. 4), plasser fanene forsiktig inn i hullene (fig. 4a)
4. Skyv lampene godt på plass
5. Plasser omformerenheten i sumpen og fest kabelen til kontakten på sumpen (Fig. 5)
6. For å sikre at transduserenheten er riktig plassert i sumpen, må fanen på transduserenheten være på linje med den støpte fordypningen i sumpet (fig. 5a)
7. Kontroller at kabelen ikke er plassert over platen på transduserenheten (fig. 5b). For å forhindre at kabelen blir klemt mellom munnstykket og sumpen, plasser kabelen i sporet i sumpens vegg
8. Bytt sumpmunnstykket og fest det ved å dreie de to røde fanene 90 grader (fig. 6)

#### Fylle vanntanken

9. Plasser vanntanken i vasken og fjern hetten (mot urviseren for å åpne) (fig. 7)
10. Fyll vanntanken med **filtrert springvann**. Dette er nødvendig for å forlenge levetiden til flammen og røykenheten. Vannet skal filtreres gjennom en vanlig vannfilterfilter, og filteret skal byttes ut jevnlig. Destillert vann må **ikke** brukes
11. Skru på hetten igjen – **ikke stram for mye**
12. Sett vanntanken tilbake til sumpen, med tankdekselet vendt ned og tankens flate side vendt utover (fig. 8)

#### Montering av peisen

13. Plasser drivstoffplaten på toppen av vanntanken og tåkemunestykket (fig. 9)

## Bruke produktet

ADVARSEL: UNNLATELSE AV Å FØLGE DENNE BRUKSANVISNINGEN KAN FØRE TIL PERSONSKADE OG/ELLER SKADE.

#### Manuelle kontroller


Opti-myst Manuelle kontroller er plassert på apparatets underside.

(Se fig. 2 for manuell kontroll)

Bryter 'A': - Kontrollerer strømforsyningen til flammen.

Merk: Denne bryteren må være i 'PÅ' (I) -posisjon for å få flammen til å fungere med eller uten varme når den er aktivert.


Bryter 'B': - Trykk  en gang for å slå på flammeeffekten. Dette vil bli indikert med et hørbart "pip". Selv om hovedlampene fungerer umiddelbart, vil det ta ytterligere 45 sekunder før flammeeffekten starter.

Trykk  for å sette flammen i ventemodus. Dette vil bli indikert med ett "pip".

#### Fjernkontroll

Fjernkontrollen er pakket med 2 AA-batterier i en pose. Løft batteridekselet på baksiden av fjernkontrollen og sett inn batteriene, og legg merke til polariteten.

Fjernkontrollen er allerede paret til produktet under fabrikkmonteringen. Hvis fjernkontrollen mot formodning skulle kobles fra produktet, eller du anskaffer en ekstra fjernkontroll, må du fullføre paringsprosessen:

1. Når produktet er tilkoblet, slå bryter A til ON (PÅ) (I). Du skal høre et lydsignal
2. Hold inne 'knapp 6' inntil PAIR (PAR) vises på skjermen
3. Ta fjernkontrollen nær produktet der mottakeren sitter . Se fig. 17
4. Produktet gir fra seg et lydsignal og blinker
5. Trykk 'knapp 6' for å fullføre paringsprosessen. Produktet settes i ventemodus.

Slå på apparatet

Trykk og hold inne ENTER-knappen i 3 sekunder for å aktivere fjernkontrollen. FIRE vil bli vist og ON blinker. Trykk ENTER for å slå på apparatet. For å slå av apparatet, trykk MENU slik at FIRE blinker, trykk ENTER to ganger.

### Juster flammeinnstillingen

Når fjernkontrollen er aktivert, trykker du en gang. FIRE blinker på displayet. Trykk ENTER. Den nåværende flammeinnstillingen viser F1-F6. Trykk på UP og DOWN-knappene for å justere innstillingen. Når du har valgt flammeinnstillingen, trykker du på BACK to ganger for å gå ut av menyen og gå tilbake til startskjermen.

### Slå på varmen

Når fjernkontrollen er aktivert, trykk på MENU en gang. FIRE blinker på displayet. Trykk på ADV en gang, HEAT blinker. Trykk ENTER. Den nåværende varmeinnstillingen viser OFF LO HI. Trykk på UP og DOWN-knappene for å justere innstillingen. Når du har valgt flammeinnstillingen, trykk på ENTER.

### Stille inn termostaten

Temperaturen som vises på displayet er innstillingspunktet for romtemperatur. Dette er temperaturen som varmeren vil opprettholde i varmeperioder. Hvis romtemperaturen er over denne temperaturen, vil ikke varmeren fungere. Varmeren forlater fabrikkens med denne temperaturen satt til 15 °C som representerer en typisk komfortabel romtemperatur. Hvis du trenger en annen romtemperatur, trykker du enten opp eller ned på startskjermen til displayet viser temperaturen du trenger.

### Varmesikkerhetsbryter

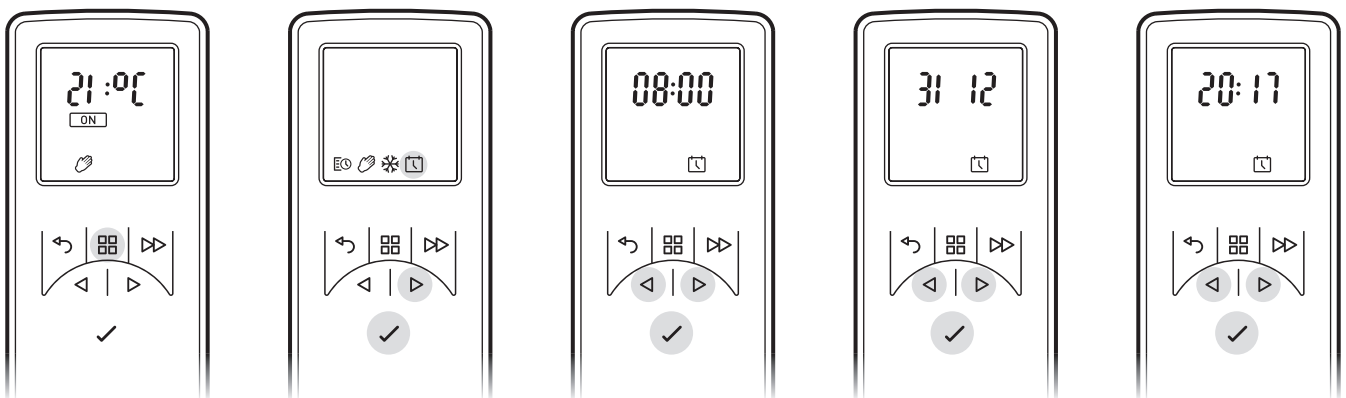
En varmesikkerhetsbryter er innarbeidet i viftekjøleren for å forhindre skade på grunn av overoppheting. Dette kan skje hvis varmeuttaket er begrenset på noen måte. Hvis utkoblingen er i gang, trekk støpselet ut av stikkontakten og la stå ca. 10 minutter før du kobler til igjen. Før du slår på varmeren igjen, fjern eventuell hindring som kan begrense varmeuttaket, og fortsett deretter normal drift.

**FORSIKTIG:** For å unngå fare ved utilsiktet tilbakestilling av termisk utkobling, må ikke dette apparatet leveres via en ekstern bryter, for eksempel en tidsur eller koblet til en bryter som regelmessig slås på og av med verktøyet.

### Stille inn dato og klokkeslett

For å stille inn dato og klokkeslett på varmeren;

1. Trykk på meny-knappen
2. Trykk på ^ -knappen 4 ganger
3. Trykk på Enter når ikonet for dato og klokkeslett blinker
4. Trykk på Enter for å stille inn klokkeslett
5. Trykk på v og ^ for å stille inn time, trykk Enter
6. Trykk på v og ^ for å stille inn minutter, trykk Enter for å bekrefte klokkeslettet
7. Trykk på v og ^ for å stille inn dag, trykk Enter
8. Trykk på v og ^ for å stille inn måned, trykk Enter
9. Trykk på v og ^ for å stille inn år, trykk Enter for å bekrefte datoen



### Moduser av ekstern drift

Brukertider: Gir størst fleksibilitet for brukeren. Fire tidsspor er tilgjengelig hele dagen, og disse kan tilpasses for hver dag i uken. Se "Hvordan justere tidtakermoduser" for instruksjoner om justering av disse fra fabrikkens standardtidsperioder og temperaturer.

Manuell modus: Denne modusen varmer rommet til temperaturen du har satt på fjernkontrollen til.

Frostbeskyttelse: Denne modusen opprettholder en romtemperatur på 7 °C. Denne modusen skal brukes til å beskytte mot frost som angitt av frostikonet.

## Velge og stille inn en modus

Brukertid – for å omprogrammere fabrikkinnstillingen:

1. Trykk på meny-knappen
2. Trykk ^ en gang til tidsplan-ikonet blinker. Trykk på Enter
3. Trykk ^ to ganger og deretter Enter  
\*Dager i uken vises nå på toppen av skjermen\*  
Dag 1 = Mandag  
Dag 2 = Tirsdag  
Dag 3 = Onsdag  
Dag 4 = Torsdag  
Dag 5 = Fredag  
Dag 6 = Lørdag  
Dag 7 = Søndag
4. Trykk Enter for å endre Dag 1 eller trykk på ^ for å navigere til ønsket dag og trykk Enter for å velge
5. P1 vil bli vist på skjermen
6. Trykk Enter for å velge P1, for å navigere til P2, P3 eller P4, trykk ^ og trykk Enter for å velge
7. PÅ vil bli uthevet, trykk Enter for å stille inn tiden
8. Trykk på v og ^ for å justere på Time-tiden, trykk på Enter for å bekrefte
9. Trykk på v og ^ for å justere på Minutt-tiden, trykk på Enter for å bekrefte
10. Trykk på v og ^ for å justere Temperaturinnstilling, trykk på Enter for å bekrefte
11. Trykk på v og ^ for å justere av Time-tiden, trykk på Enter for å bekrefte
12. Trykk på v og ^ for å justere av Minutt-tiden, trykk på Enter for å bekrefte

Trykk Enter for å endre program P2, følg trinnene 5-12, trykk på ^ for å hoppe over til P3

Trykk Enter for å endre program P3, følg trinnene 5-12, trykk på ^ for å hoppe over til P4

Trykk Enter for å endre program P4, følg trinnene 5-12

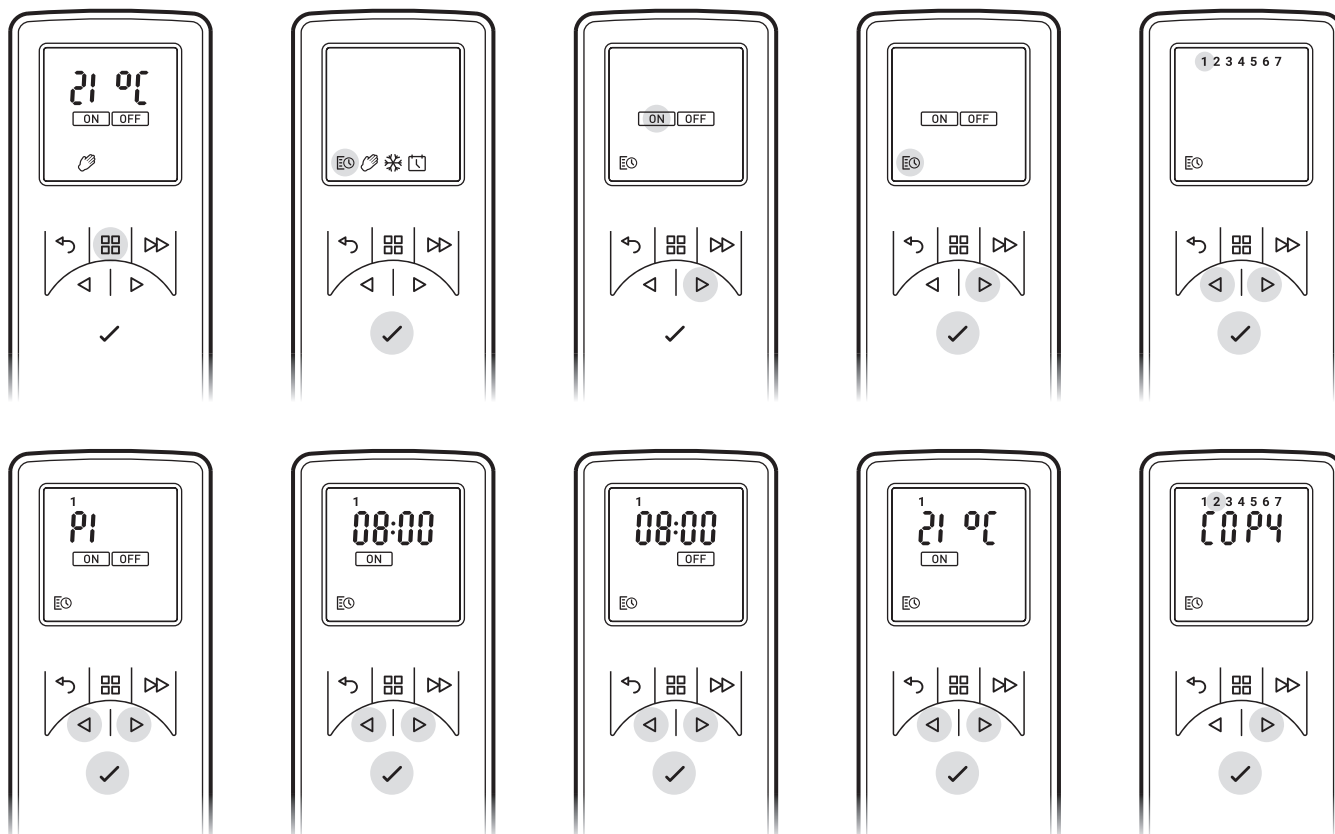
For å kopiere nyprogrammerte P1-P4 varmeprogrammer til andre dager, trykk Enter.

Copy vil bli vist på skjermen

For å kopiere til neste dag i rekkefølge, trykk ^ -knappen. For å oppheve valget av neste dag i rekkefølge, trykk på Enter-knappen.

Dagene i uken som blir valgt vil vises øverst på skjermen. Dagene som har blitt opphevet vil ikke være synlig (se diagrammer).

Trykk Enter for å bekrefte, bakgrunnslyset vil blinke og gå tilbake til startskjermbildet.

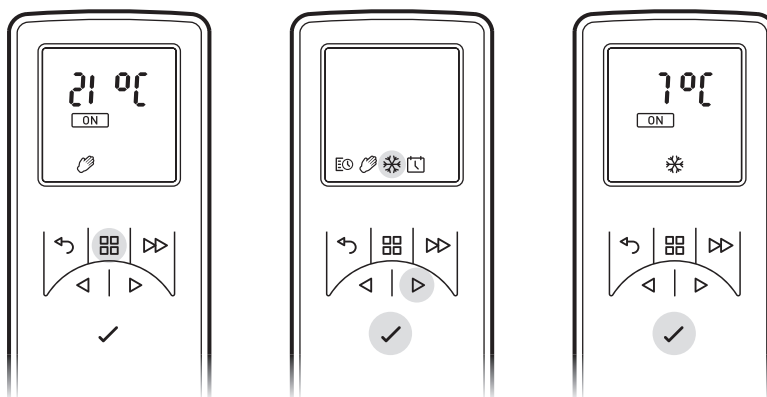


Manuell modus – for å velge en konstant varmetilstand. Denne modusen ignorerer brukertiden og opprettholder den viste temperaturen.

- Trykk på meny-knappen
- Trykk ^ to ganger for å markere hånd-ikonet
- Trykk Enter for å bekrefte
- Bruk v og ^ for å justere til ønsket temperatur

Frostbeskyttelse - Frostbeskyttelsesmodus opprettholder en romtemperatur på 7 °C i løpet av en 24-timers periode. Denne modusen skal brukes til å beskytte mot frost som angitt av frostikonet.

- Trykk på meny-knappen
- Trykk ^ tre ganger for å markere snøfnugg-ikonet
- Trykk Enter for å bekrefte
- Trykk på v eller ^ for å gå ut av denne modusen og inn på manuell modus.



#### Få ønsket flammeeffekt

1. Bruk fjernkontrollen til å trykke på MENU, FIRE på displayet blinker, trykk ENTER. Den nåværende innstillingen vises. Trykk på ^ eller v for å skifte mellom F1 og F6. F1 er den laveste innstillingen og F6 er den høyeste innstillingen.
2. Flammene virker generelt mer realistiske når flammekontrollen er skrudd ned.
3. Gi flammegeneratoren tid til å reagere på endringer du måtte gjøre.
4. Flammen vil bruke mindre vann hvis flammeeffekten er satt til et lavere nivå.
5. Ikke vipp eller flytt på flammen mens det er vann i tanken eller sumpen.
6. Pass alltid på at flammen sitter i vater på gulvet.

#### Tilpasse skjermen

Innstillingspunktet for maksimaltemperatur på produktet er 32 °C Du har muligheten til å redusere dette innstillingspunktet. Du kan også endre °C til °F

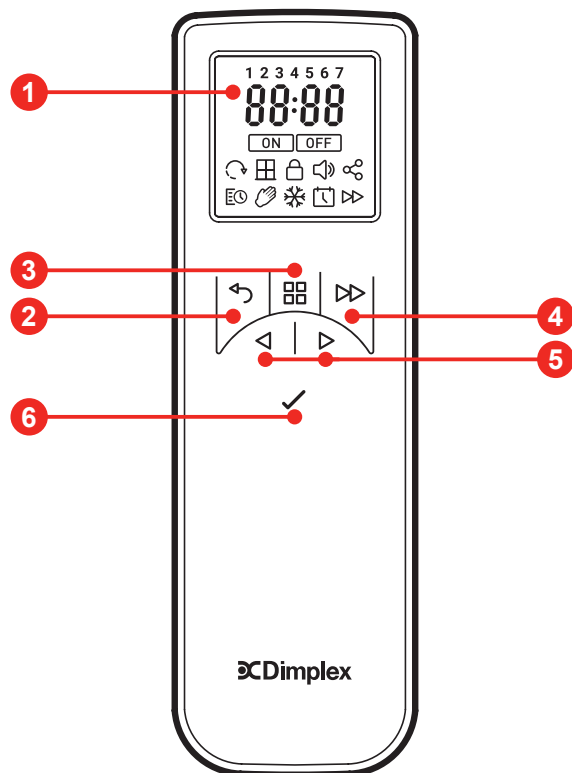
1. Trykk på meny-knappen.
2. Trykk på ADV-knappen to ganger – SP blinker.
3. Trykk Enter for å bekrefte.
4. Trykk på v eller ^ for å velge mellom °C og °F.
5. Trykk Enter for å bekrefte.
6. Trykk på v eller ^ for å velge ditt høyeste temperaturinnstillingspunkt.
7. Trykk Enter for å bekrefte.
8. Trykk på BACK tre ganger for å gå tilbake til startskjermen.

#### Adaptiv start

Den innebygde elektronikken i dette apparatet har en læringsfunksjon med hensyn til hvor lang tid det tar å varme opp et rom. Etter å ha lært hvor raskt det kan varme opp rommet ditt, kan apparatet slå på riktig tidspunkt for å få rommet til en behagelig temperatur når du vil ha det. For eksempel, hvis du står opp klokken 7, må du normalt gjette når du skal slå på varmen på for at den skal forvarme rommet i tide. Avhengig av hvor kaldt det er ute, kan dette bety at rommet fortsatt er kaldt når du må gå ut av sengen, eller at det har vært varmt i en halv time før det måtte være det. Adaptiv start betyr at hvis du velger 21 °C klokken 7.00, vil varmeapparatet slå seg på nøyaktig når det er nødvendig for å møte dette målet, kjøre i kortere perioder når været er mildt og sørge for at rommet er fint og varmt om vinteren.

Adaptiv start-funksjonen aktiveres automatisk når du bruker tidtaker-modus.

- 1 Skjerm
- 2 'Back'-knapp
- 3 'Menu'-knapp
- 4 'Advance'-knapp
- 5 'Up og Down'-piler
- 6 'Enter'-knapp



## Vedlikehold

### GENERELLE TIPS

Bruk bare filtrert springvann i dette apparatet.

Pass alltid på at apparatet sitter i vater på en overflate.

Hvis du ikke har tenkt å bruke apparatet i mer enn 2 uker, må du fjerne og tømme sumpen og vanntanken. Når den er installert, må du ikke flytte dette apparatet eller ligge på ryggen, uten å tømme vannet fra sump og vannbeholder.

Apparatet må aldri betjenes hvis lampene ikke virker.

Lamperne bør inspiseres jevnlig som beskrevet under 'Skifte lamper'.

### FYLLE VANNTANKEN

Når vanntanken er tom, slås av flamme- og røykeeffekten, og du hører 2 hørbare "pip", følg disse trinnene.

1. Trykk på bryteren 'A' til **(0)** (Fig. 10).
2. Løft opp drivstoffsengen forsiktig og legg det forsiktig til side.
3. Fjern vanntanken ved å løfte oppover og utover.
4. Plasser vanntanken i vasken og fjern hetten mot urviseren for å åpne. (Fig. 7).
5. Fyll tanken med **filtrert springvann**. Dette er nødvendig for å forlenge levetiden til flammen og røykeproduzenten. Vannet skal filtreres gjennom en vanlig vannfilterfilter, og filteret skal erstattes regelmessig.
6. Skru dekselet på igjen, ikke stram for mye.
7. Sett tanken tilbake til sumpen, med tankdekselet vendt ned og tankens flate side vendt utover. (Fig. 8).
8. Sett drivstoffsengen forsiktig på plass. (Fig. 9).
9. Trykk på bryteren 'A' til 'PÅ' **(I)** -posisjon (fig.10).

### BYTTE LAMPER

Hvis flammen og røyken ser ut som grå eller fargeløs, kan det hende at en eller flere lamper har mislyktes. Du kan sjekke etter lampefeil som følger.

1. La flammeeffekten stå på, løft ut drivstoffsengen og vanntanken.
2. Det bør være mulig å se lampene med munnstykket på plass og observere hvilken som skal endres.
3. Sett bryteren 'A' i 'AV'-posisjon, og trekk ut kontakten fra strømmettet.
4. La apparatet stå i 20 minutter for å la lampene kjøle seg ned før de fjernes.
5. Fjern sumpen som beskrevet i Rengjøring-avsnittet.
6. Fjern den defekte lampen ved å løfte forsiktig opp vertikalt og løsne tappene fra lampeholderen (se fig. 4 og 4a). Bytt ut med en OPTIMYST, 12V, 45W, Gu5.3 base, 8° strålevinkel, farget lampe. (Kjøpt fra leverandøren vår)
7. Sett forsiktig de to pinnene i den nye lampen inn i de to hullene i lampeholderen. Skyv fast på plass. (Fig.4 og 4a).
8. Bytt sump, munnstykke, vanntank og drivstoffseng.

## RENGJØRING

**Advarsel** – alltid trykk på bryteren 'A' til 'AV' (0) -posisjon (fig. 10) og koble fra strømforsyningen før peisen rengjøres.

Vi anbefaler å rengjøre følgende komponenter en gang annenhver uke, spesielt i vanskelige vannområder:-

Vanntank, sump, munnstykke, tankdeksel og tetning, luftfilter.

For generell rengjøring, bruk en myk ren støvklut – aldri bruk slipemidler.

For å fjerne opphopning av støv eller lo, bør støvsugerens myke børste brukes av og til for å rengjøre utløpsgitteret på viften.

### Vanntank

1. Fjern vanntanken, som beskrevet tidligere, sett i vasken og tøm ut vannet.
2. Bruk den medfølgende børsten til å forsiktig tømme innsiden av dekselet, spesielt oppmerksom på gummiringen i det ytre sporet og sentergummeltetningen.
3. Sett en liten mengde oppvaskmiddel i tanken, sett hetten på igjen og skyll godt, skyll ut til alle spor av oppvaskmiddel er borte.
4. Påfyll bare med filtrert kranvann, sett på lokket, ikke stram for tett.

### Sump

1. Trykk på bryteren 'A' til 'AV' (0) -posisjon.
2. Løft opp drivstoffsengen forsiktig og legg den forsiktig på bakken.
3. Fjern vanntanken ved å løfte oppover.
4. Koble fra den elektriske kontakten, som er plassert på høyre side av sumpen. (Fig. 5)
5. Slipp de høyre låseflukene ved å dreie 90°. Dette gjør det mulig å løfte sumpen helt fra plasseringen. (fig. 11)
6. Løft forsiktig opp sumpen, pass på å holde nivået slik at du ikke søler vann. Sett enheten i vasken.
7. Løsne de venstre låseflukene ved å dreie 90°, og løft deretter av munnstykket. (Fig.3)
8. Løft ut transduseren og forsiktig vipp, som vist, slik at væsken kommer ut av sumpen. (Fig.13)
9. Sett en liten mengde oppvaskmiddel i sumpen, og bruk den medfølgende børsten, rengjør forsiktig alle overflater i sumpen og forsiktig rengjøre transduseren inkludert metallplatene i den øvre riflete overflaten. (Fig.14)
10. Skyll sumpen grundig med rent vann for å fjerne alle spor av oppvaskmiddel.
11. Rengjør munnstykket med børsten og skyll grundig ut med vann. (Fig.15)
12. Gjør trinnene ovenfor omvendt for å sette sammen igjen.

### Luftfilter

1. Løft opp drivstoffsengen forsiktig og legg den forsiktig på bakken.
2. Skyv luftfilteret forsiktig ut av plastholderen. (Fig.16)
3. Skyll forsiktig med vann i vasken og tørk med stoffhåndkle.
4. Bytt filteret og sørg for at det svarte filteret står pekt mot fronten av peisen.
5. Bytt drivstoffsengen.

## Tilleggsinformasjon

### KUNDESERVICE

Produktet ditt er garantert i to år fra kjøpsdatoen. Innenfor denne perioden forplikter vi oss til å reparere eller bytte ut dette produktet gratis (unntatt lamper og avhengig av tilgjengelighet), forutsatt at den er installert og betjent i henhold til disse instruksjonene. Dine rettigheter under denne garantien er tillegg til dine lovbestemte rettigheter, som i sin tur ikke påvirkes av denne garantien.

### RESIRKULERING



For elektriske produkter som selges i Det europeiske fellesskap – ved slutten av de elektriske produktenes brukstid Det må ikke kastes sammen med husholdningsavfall. Vennligst resirkuler ved passende anlegg. Sjekk med kommunen eller forhandler for resirkuleringsrådgivning i ditt land.

## PATENT/PATENTBRUK

Produkter innenfor Optimyst-serien er beskyttet av en eller flere av følgende patenter og patentsøknader:

Storbritannia GB 2402206, GB 2460259, GB 2460453, GB 2418014, GB 2465738, GB 2449925, GB 2465537, GB 2455277, GB1020534.2, GB1020537.5, GB1110987.3

USA US 7967690, US 2010299980, US 2011062250, US 2008028648, US 13/167,042

Russland RU2008140317

Europeisk EP 2029941, EP 2201301, EP 2315976, EP 1787063, EP07723217.1, EP11170434.2, EP 11170435.9

Kina CN 101883953, CN 200980128666.2, CN 101057105, CN 101438104

Australia AU 2009248743, AU 2007224634

Canada CA 2725214, CA 2579444, CA 2645939

Internasjonal patentsøknad WO 2006027272

Sør-Afrika ZA 200808702

Mexico MX 2008011712

Korea KR 20080113235

Japan JP 2009529649

Brasil BR P10708894-9

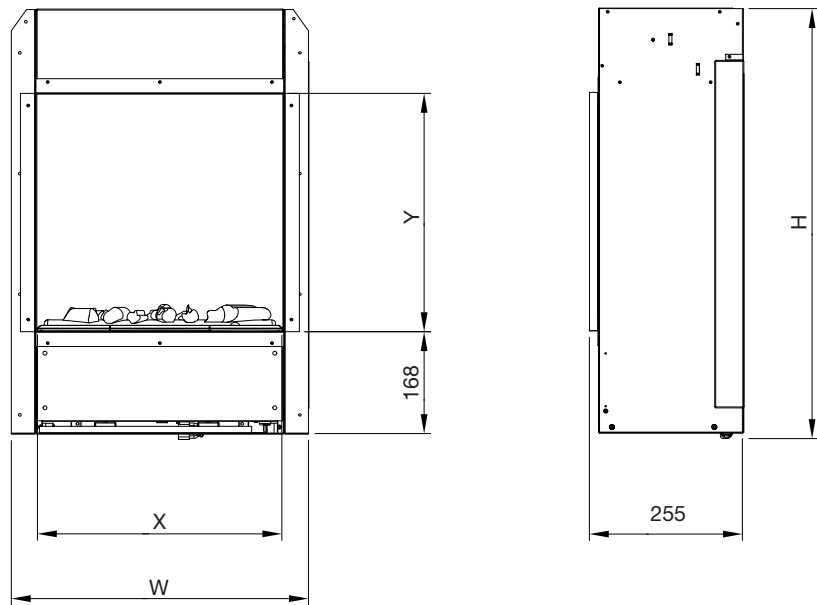
India IN 4122 / KOLNP / 2008

New Zealand NZ 571900

Feilsøking		
Symptom	Årsak	Korrigerende tiltak
Flammeeffekten starter ikke.	Stikkkontakten er ikke tilkoblet.  Lavt vannnivå.  Lavspenningskontakten er ikke riktig tilkoblet. (Fig. 5)  Transduserenheten sitter ikke riktig i sumpen.	Kontroller at støpselet er koblet til stikkkontakten på riktig måte.  Kontroller at vanntanken er full og det er vann i sumpen.  Kontroller at kontakten er satt riktig inn. (Fig. 5)  Sørg for at transduseren sitter ned i den støpte fordypningen i sumpen.
Flammeeffekten er for lav.	Flammeeffektbryteren er satt for lav. (Fig. 10)  Metallplaten i transduseren kan være skitten. (Fig. 14).  Ledningen fra transduserenheten sitter over metallplaten.	Øk flammens nivå ved å bruke fjernkontrollen (se avsnittet for bruk av produktet).  Rengjør metallplaten med myk børste som følger med. (Fig. 14) Se 'Vedlikehold' for en trinnvis prosedyre.  Beveg kabelen til baksiden av sumpen og sørg for at den sitter i sidesporet som kommer ut av sumpen.
Ubehagelig lukt når enheten brukes.	Skittent eller foreldet vann.  Bruke ufiltrert springvann.	Rengjør enheten som beskrevet under vedlikehold.  Bruk bare filtrert springvann.
Flammeeffekten har for mye røyk.	Flammeeffektinnstillingen er for høy.	Vend flammeeffektbryteren 'D' til høyre, omtrent ¼ omdreining, om gangen. Gi flammegeneratoren litt tid til å justeres til den nye innstillingen. (Fig. 10)
Hovedlamper virker ikke, og det er ingen flammer eller røyk.	Det er ikke noe vann i vanntanken.	Følg instruksjonene under <b>Vedlikehold</b> , 'Fulle vanntanken'.  Kontroller at støpselet er koblet til stikkkontakten på riktig måte, og at bryteren 'A' fig. 10 er i 'PÅ' (I)-posisjon.



Fig. 1



MODEL	'H'	'W'	'X'	'Y'
ENG56-400	700mm	490mm	413mm	395mm
ENG68-400	823mm	490mm	413mm	517mm
ENG56-600	700mm	646mm	569mm	395mm

Fig. 2

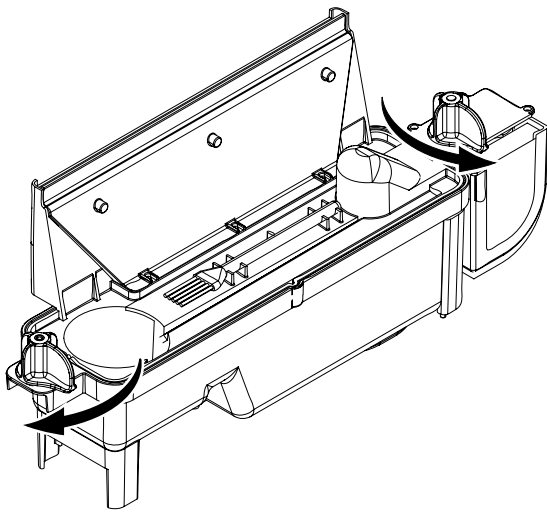


Fig. 3

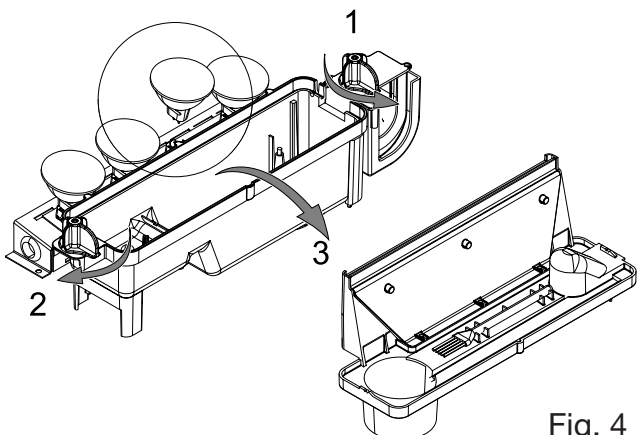
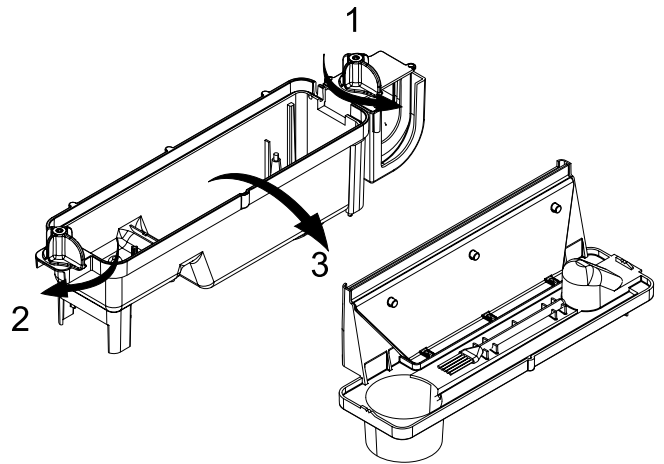


Fig. 4

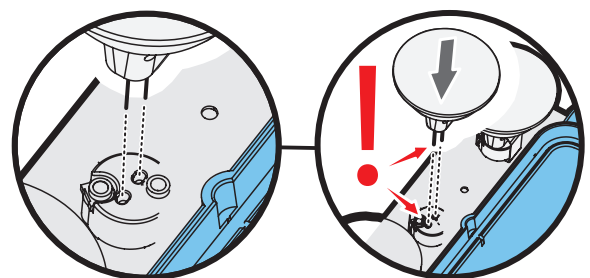


Fig. 4a

Fig. 5

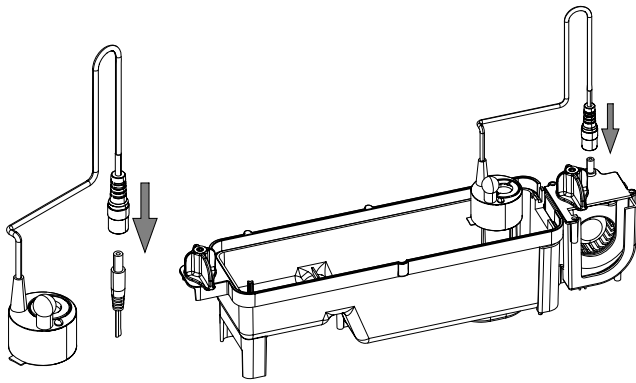


Fig. 5a

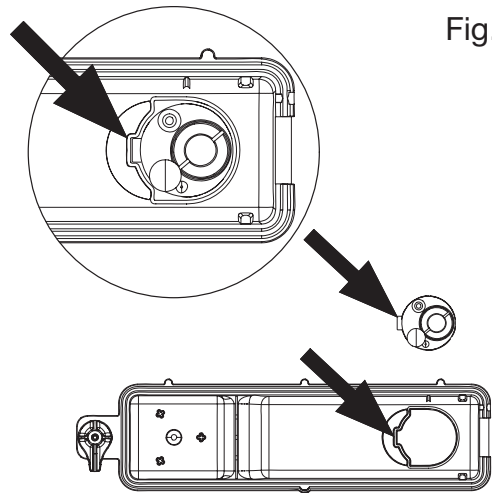


Fig. 5b

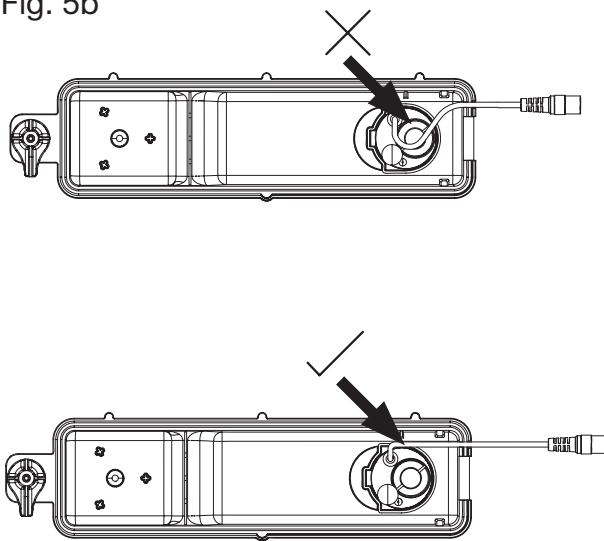


Fig. 6

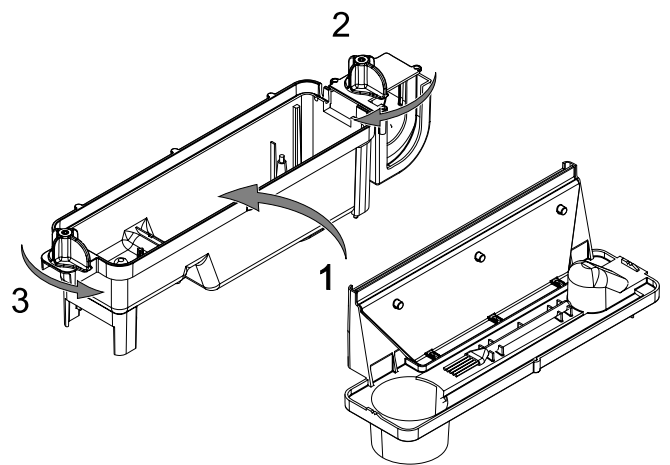


Fig. 7

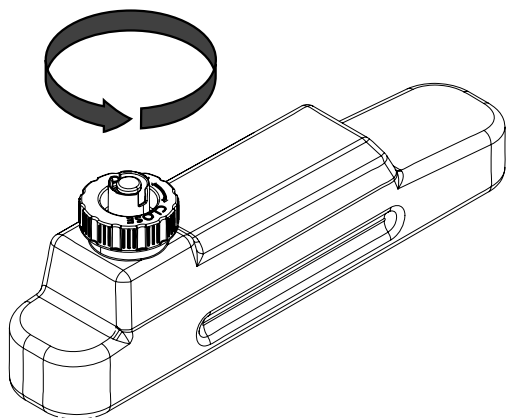


Fig. 8

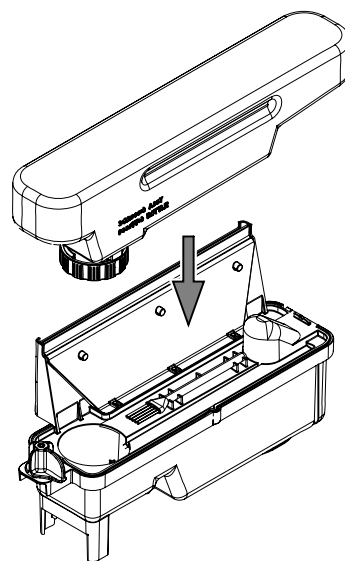


Fig. 9

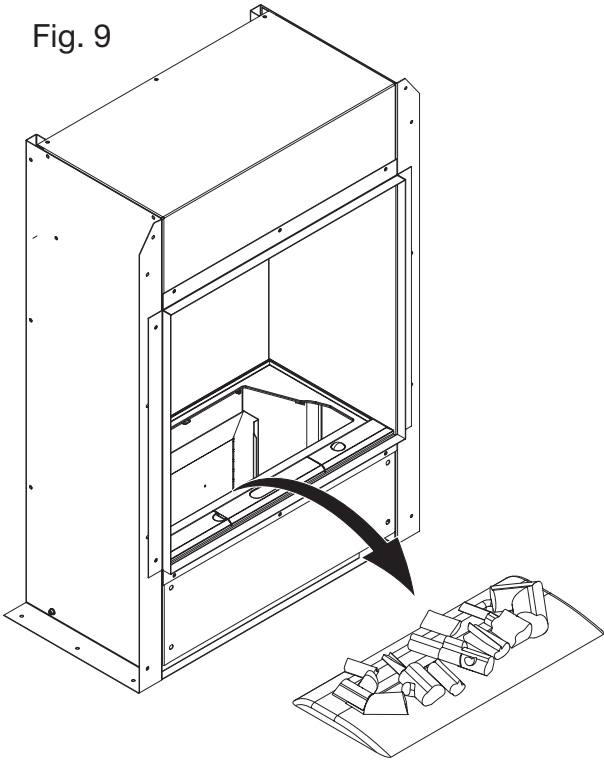


Fig. 10

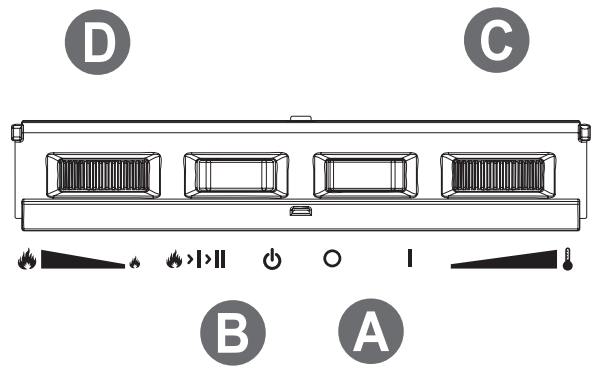


Fig. 11

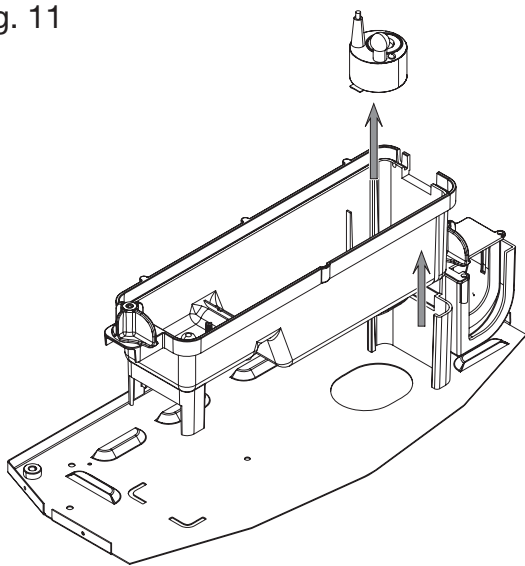


Fig. 12

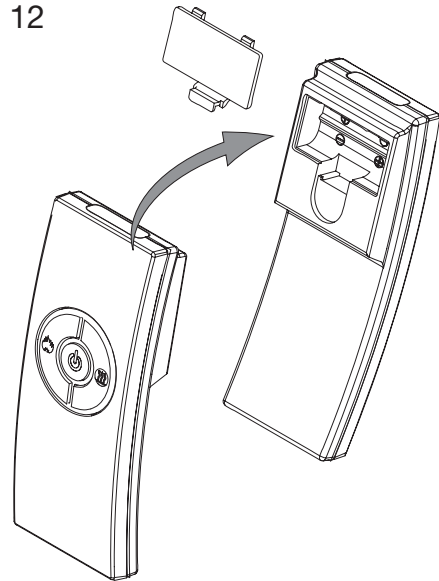


Fig. 13

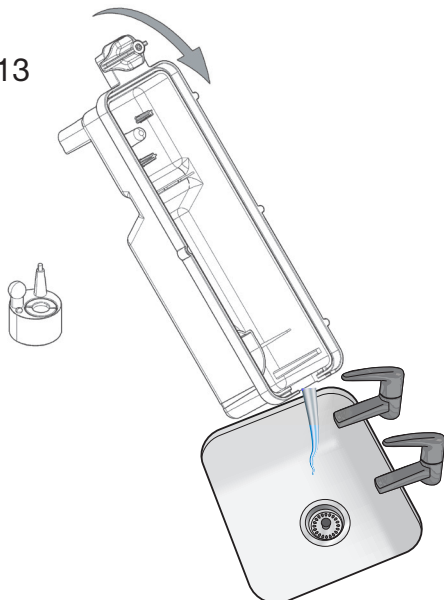


Fig. 14

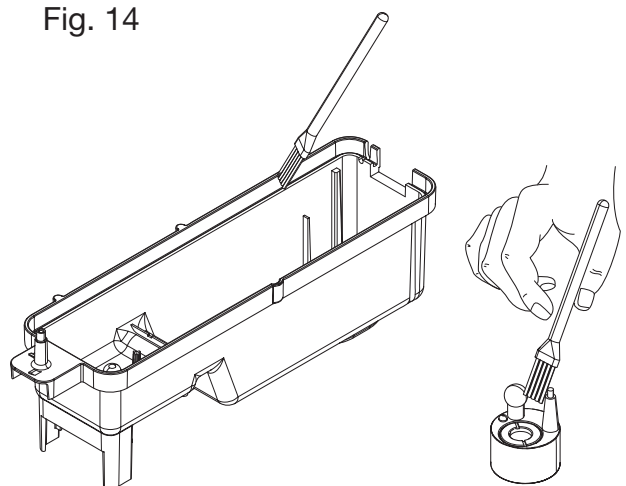


Fig. 15

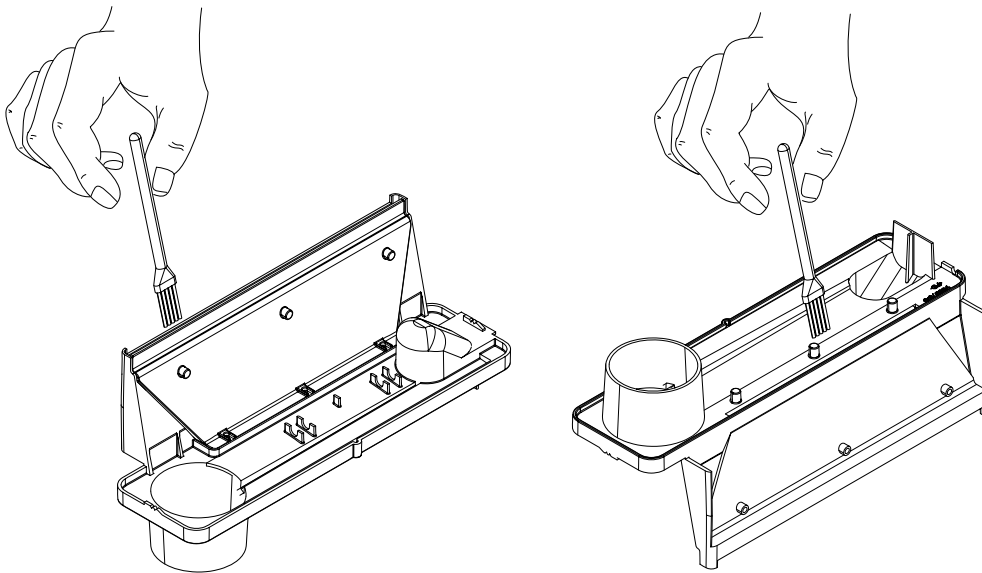


Fig. 16

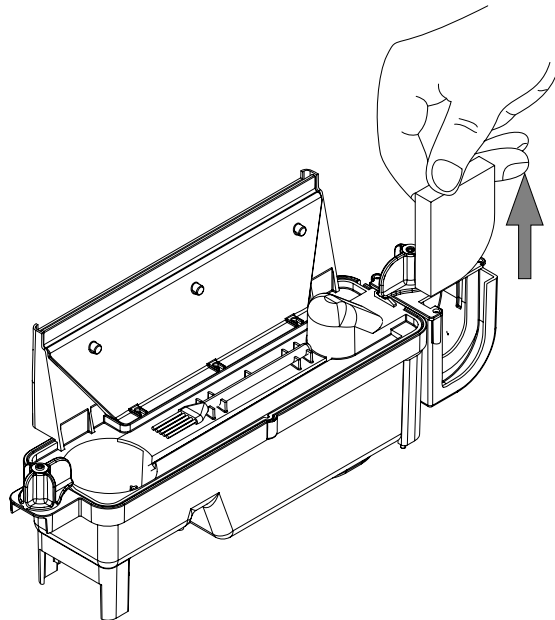
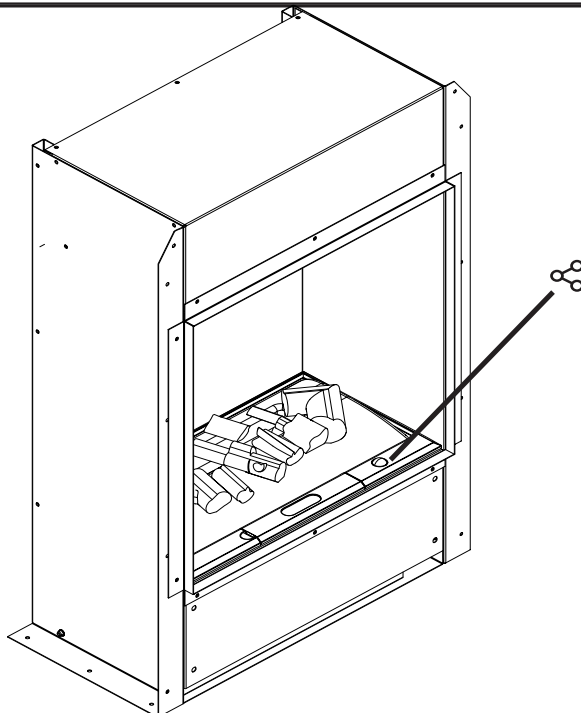


Fig. 17



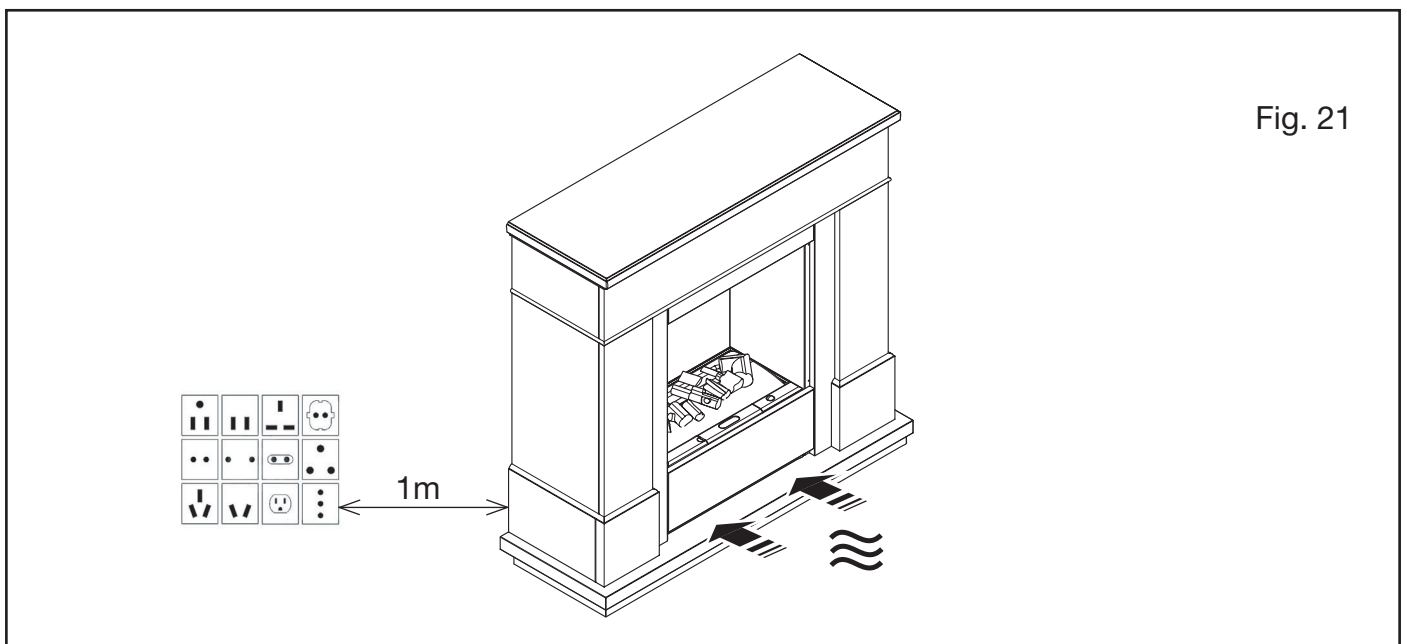
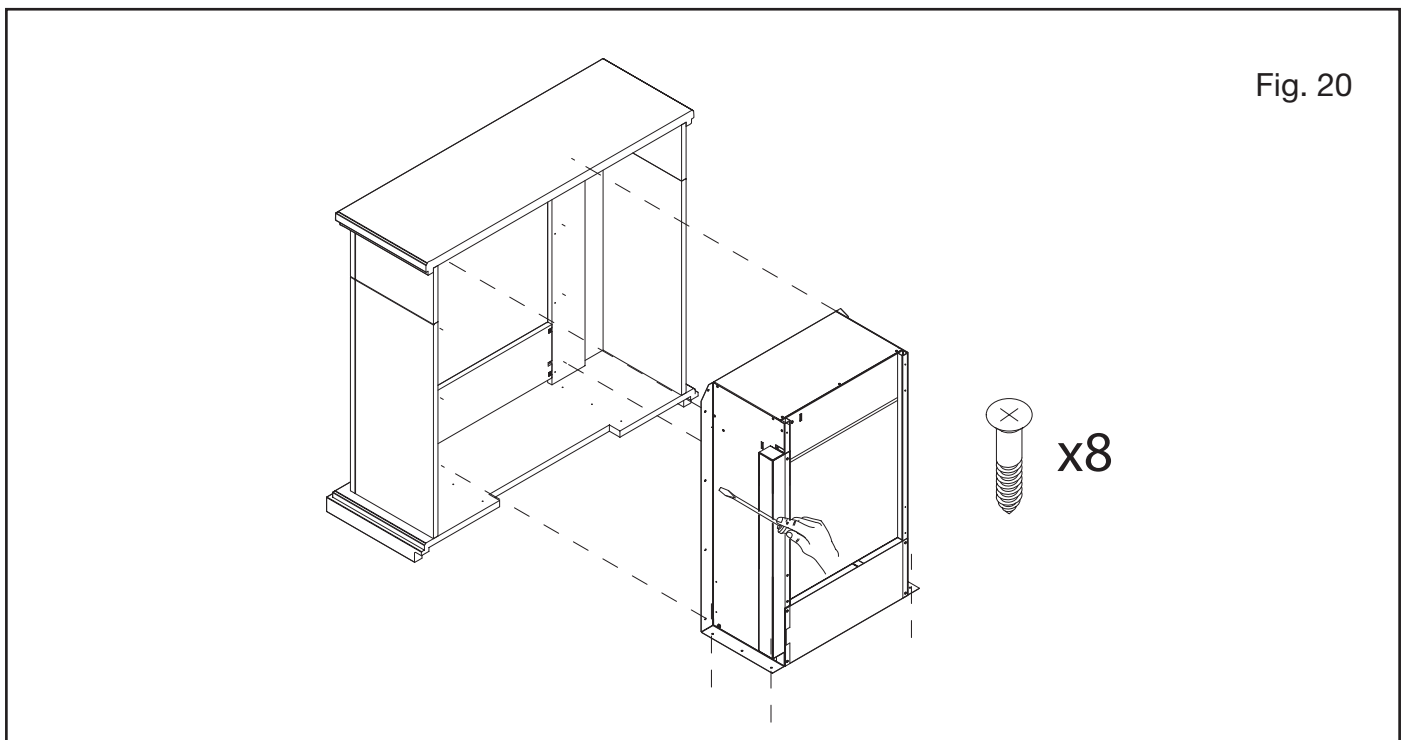
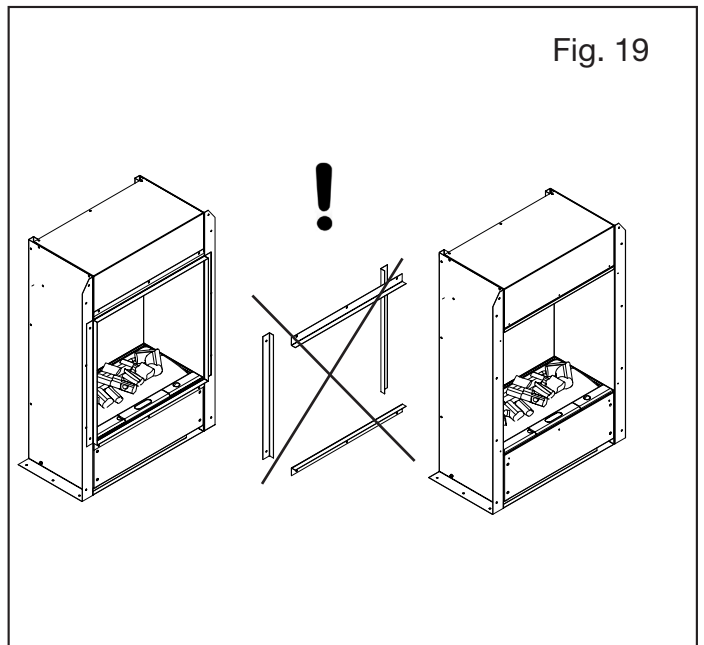
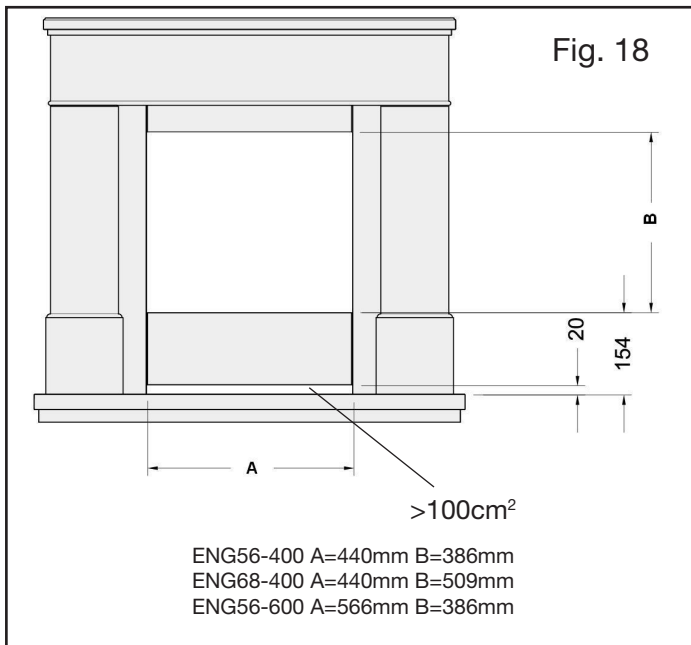


Fig. 22

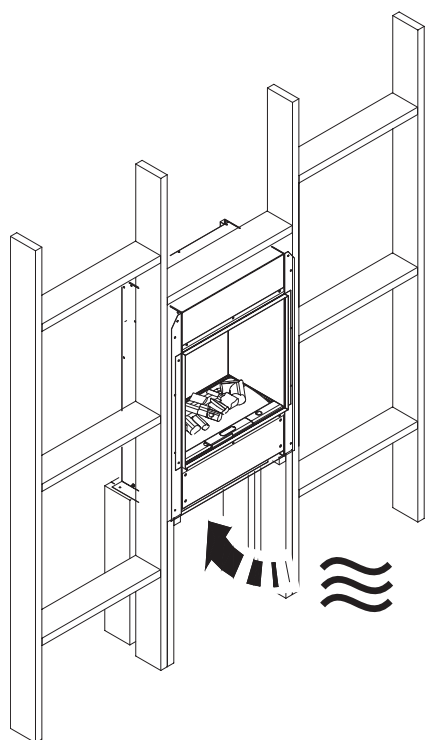
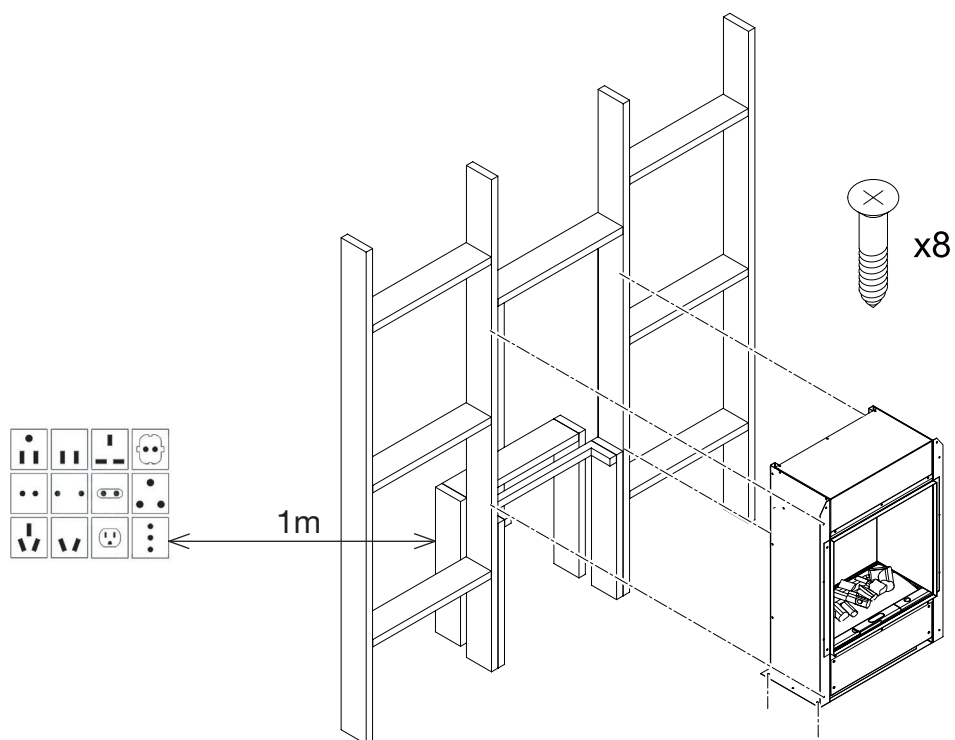


Fig. 22

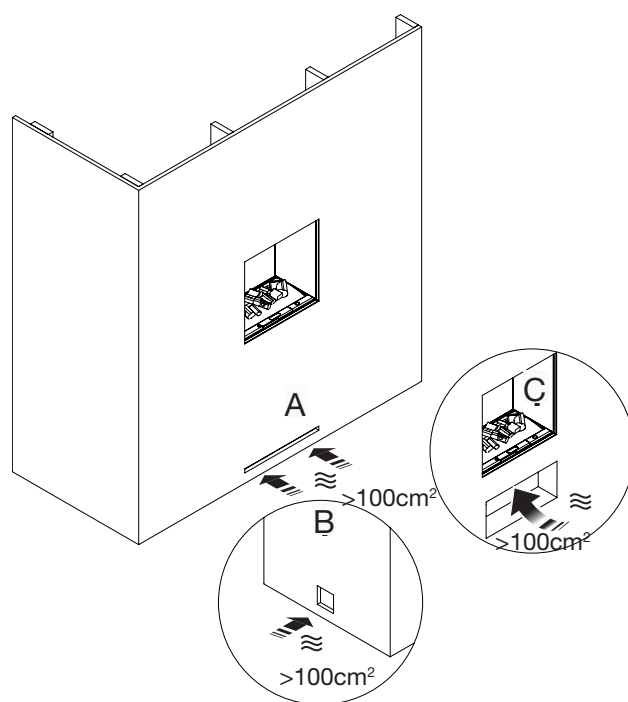


Fig. 23